

# VectorWorks SDK Manual

For VectorWorks 11.0



7150 Riverwood Drive  
Columbia, MD 21046  
Telephone: 410-290-5114  
Fax: 410-290-8050  
[www.nemetschek.net](http://www.nemetschek.net)

COPYRIGHT 2004 Nemetschek North America. All Rights Reserved.  
QuickTime and the QuickTime logo are trademarks used under license.

Documentation by: Andrew Campbell, Mark Farnan, Sean Flaherty, Jeff Geraci, Steve Johnson, Jeffrey Koppi, Chris Nebel, and Paul Pharr. Layout by Sean Flaherty, John Ferdock, Jeffrey Koppi and Don Webster.

This document was illustrated using VectorWorks.

# Contents

<b>INTRODUCTION.....</b>	<b>5</b>
<i>Document Layout</i> .....	5
<i>Included Files</i> .....	5
<b>SECTION I: THE PLUG-IN ENVIRONMENT .....</b>	<b>6</b>
<i>The Plug-in and the User</i> .....	6
<i>The Definition of a Plug-in</i> .....	7
<i>Tool or Menu Command?</i> .....	8
<i>Communication Between VectorWorks and Plug-ins</i> .....	8
<i>Global Data</i> .....	8
<b>MENU COMMANDS .....</b>	<b>10</b>
<i>Menu Command Main Function</i> .....	10
<i>Menu Command Actions</i> .....	11
<i>Menu Command Definition Resource: MITM</i> .....	13
<b>TOOLS .....</b>	<b>16</b>
<i>Tool Main Function</i> .....	16
<i>Tool Actions</i> .....	16
<i>Tool Definition Resource: TDef</i> .....	18
<i>Tool Icon</i> .....	20
<i>Tool Related Callbacks</i> .....	20
<b>PLUG-IN OBJECTS.....</b>	<b>21</b>
<i>Plug-in Object Types</i> .....	21
<i>Tool for Plug-in Object</i> .....	22
<i>Plug-in Object Main Function</i> .....	22
<i>Plug-in Object Actions</i> .....	23
<i>Plug-in Object Resources</i> .....	24
<i>Custom User Interface</i> .....	26
<b>PLUG-IN LIBRARY ROUTINES.....</b>	<b>29</b>
<i>Plug-in Library Routines Main Function</i> .....	29
<i>Plug-in Library Routine Resources</i> .....	30
<i>Calling a Library Routine</i> .....	30
<i>Memory Management</i> .....	31
<b>SECTION II: THE VECTORWORKS ENVIRONMENT .....</b>	<b>33</b>
<i>Entities</i> .....	33
<i>Lists</i> .....	33
<i>Drawings</i> .....	33
<i>List Traversal</i> .....	34
<b>UNITS .....</b>	<b>35</b>
<b>PROPERTIES OF DRAWING ENTITIES .....</b>	<b>36</b>
<b>SPECIAL OBJECTS .....</b>	<b>37</b>
<i>Symbols</i> .....	37
<i>Walls</i> .....	38
<i>Extrudes</i> .....	39
<i>Sweeps</i> .....	39
<i>Meshes</i> .....	39
<b>3D VIEWS .....</b>	<b>39</b>
<b>UNDO .....</b>	<b>40</b>
<b>USER INTERFACE.....</b>	<b>44</b>
<i>Display of Numeric Values</i> .....	47
<b>SECTION III: THE DEVELOPMENT ENVIRONMENT .....</b>	<b>49</b>
<b>CROSS-PLATFORM DEVELOPMENT .....</b>	<b>49</b>

<i>Macintosh Project and Compiler Settings</i> .....	49
<i>Windows Project and Compiler Settings</i> .....	49
RESOURCES .....	50
DEBUGGING .....	51
APPLICATION FRAMEWORKS .....	52
<b>INDEX</b> .....	<b>53</b>

## Introduction

VectorWorks provides an open architecture that allows developers to supplement or replace existing VectorWorks functionality. From the user's perspective, these new plug-in tools, menu commands, and objects are indistinguishable from those built into VectorWorks. As such, they are first class solutions for the user. The purpose of this document is to define the relationship between the user, the plug-in, and the VectorWorks application. It also describes how to implement a new plug-in from these specifications.

## Document Layout

This document is divided into three sections. The first section describes plug-ins and the plug-in environment. The second section describes how VectorWorks documents are organized, and describes some of the services that the application provides to plug-ins. The final section discusses the development environment.

## Included Files

In addition to this document, the SDK includes release notes, a function reference, and other documents. It also includes the source code and libraries necessary to build plug-ins. Full source code for several sample plug-ins is also provided.

## Section I: The Plug-in Environment

The VectorWorks open environment is composed of 4 pieces: the user, the plug-in, the drawing, and the VectorWorks application. The user works with the plug-in to manipulate the drawing. VectorWorks provides the means of communication between the other parts as well as the essential functionality of a CAD system (coordinate systems, objects, math routines, etc.).

The system works because each part has a well-defined role and each part, except one, has a well-defined protocol to carry out its role. The one exception is, of course, the user, who will not submit to any protocol. The other parts must be tolerant of unexpected user input, and provide information to the user so that he or she will naturally make the right choices.

- The user's role is to generate events, from mouse movement and button clicks to requests for a wall or to rotate the world. The user is the action to which everything else reacts.
- The drawing is the data that the user creates. Its job is to exist.
- VectorWorks' role is the enabler. It provides the framework in which the other parts meet.
- The role of the plug-in is to respond to the user, servicing his or her requests to create and manipulate the drawing, thereby building on the VectorWorks framework useful software. In less grand terms, a tool or menu command solves a user problem with the help of VectorWorks.

### The Plug-in and the User

As stated above, the user will relate to the plug-in in any way he or she pleases. A plug-in, however, in dealing with the user, must provide the following:

- **Functionality** - This is not that difficult to do. If you are reading this document then you probably have some ideas, ranging from the just plain silly to the revolutionary. The difficult thing about functionality is making it useful. The rest of the requirements exist to help do this (though they are by no means sufficient).
- **Undo** - Documentation may guide the user to your plug-in. Help messages may reassure them. But only experience teaches them. If your plug-in permanently modifies the drawing in any way, you must preserve the user's guarantee to experiment freely by providing undo. VectorWorks offers a simple, powerful and generic undo facility for use in a plug-in. For information on how to implement undo, see the subsection on undo in the services section.
- **Help** - All plug-ins have help tags (tool tips) that concisely state the purpose of the plug-in. It appears when the user positions the cursor over the tool or menu command. In addition, plug-in developers can provide context sensitive help. This help is contained in html files on the user's hard drive or on the internet. For information on how to provide context sensitive help, see the subsection on context sensitive help in the services section.
- **Message bar help** - When a tool is selected text can be displayed in the message bar. A plug-in should display the name of the current tool mode, and prompt the user towards the next expected action
- **Smart Cursor** - VectorWorks uses the cursor to provide information to the user about a tool. Which cursor a tool uses should indicate to the user what task the tool will perform next. An example is how the selection tool changes from a hollow arrow when the cursor is over an object to the standard arrow cursor when the next click will allow specification of a selection marquee. Make use of existing VectorWorks cursors and conventions where possible and make logical extensions otherwise. Some tools may need a completely new cursor. If a tool's behavior depends on the object it is being used with or on some state internal to the tool, then the appearance of the cursor should convey this.
- **Alerts** - If the user attempts to use the plug-in in a way that is inappropriate or impossible, the plug-in should provide information about what is wrong and how to correct the situation. A plug-in should never fail without an explanation or with only a beep.
- **Constraints** - Constraints allow the user to control a plug-in's behavior and enhance its usefulness. See the constraints subsection in the services section for a discussion of how to make a tool work with the constraint palette.

- Menu Highlighting - Menu commands have the option to make themselves unavailable when the conditions for their use are not met. Disabling a menu does not provide information. It only limits choices. A menu should not disable itself unless it is clear to the user why the functionality is inappropriate at that time. If it is unclear then the menu command should remain enabled. If the user selects it, it can provide an alert telling the user it is unavailable. The alert explains what conditions need to change for the menu command to be activated.

## The Definition of a Plug-in

Implementation of a plug-in can be broken into two parts: writing the program source code that defines the plug-in and creating the proper resources. On the Macintosh platform, these components are combined into a single file that the user places into their “Plug-ins” folder. On Windows, the code and resources exist in separate files, both of which are placed into the “Plug-ins” folder.

Some of the Macintosh resources described below are custom resources defined by Nemetschek North America specifically for the VectorWorks SDK. Refer to Section III: The Development Environment for more information on editing these custom resource types. A Windows Plug-in may also contain Windows Resources.

The following resources will be found in a completed plug-in:

- Definition Resource. Each type of plug-in has a resource type that defines certain standard behavior for the plug-in. For a menu command the resource type is MITM, for a tool the type is TDef, for an object it is ‘PDef’, and for a library routine it is ‘VLIB’. Every plug-in must have a valid definition resource with an ID of 128. These are custom resources defined by Nemetschek North America, and are described in more detail later in this section.
- Auxiliary Resources. Recommended resources for most plug-ins.

### ‘TEXT’

This resource holds the text for the help tag (tool tip) and must have a resource ID of 128. The length of this resource must be less than 239 characters. Help tags are managed by VectorWorks automatically when you provide this resource. If you add or edit this resource in the plug-in you will need to edit all Workspaces containing that plug-in to force the new help to appear.

### ‘vers’

All plug-ins must have vers resources of ID 1 and optionally of ID 2. ‘vers’ 1 is the plug-in’s version. ‘vers’ 2 is the version of the package that the plug-in was shipped with. Nemetschek North America plug-ins use ‘vers’ 2 to specify which version of VectorWorks the plug-in shipped with. If your plug-in exists independently then it does not need a ‘vers’ 2 resource.

- Private Resources. Plug-ins may also use any other resources for their own purposes. These standard resources are defined in the “Inside Macintosh” series of books, the “ResEdit Reference” and Apple’s website: [www.apple.com](http://www.apple.com). So as not to conflict with resources in VectorWorks, resource ID for private resources should be in the following ranges:

Resource Types:	Resource ID range for plug-ins:
PICT, ICON, ICN#, DLOG, DITL, STR#, ALRT, FONT, dctb, DLGX, MMAP	11000 to 14999
CURS	Greater than or equal to 17000

Hierarchical MENU	128-191
MENU	Greater than 11000
All other resources	Greater than 10000

## Tool or Menu Command?

Many plug-ins could possibly be written as tools or menu commands, but there is usually a compelling reason to choose one over the other. Functionality that should have been implemented as a menu command that is wrapped in a tool may seem awkward to a user and vice versa. If the user doesn't feel comfortable with your plug-in, then no matter how important you may think it is to them, they probably will not use it. When deciding how to implement your plug-in, consider the following guidelines:

- **Menu Commands:** Menu commands usually interact with the user only through dialogs and often don't have any interface. Menu commands are appropriate when an action is to be performed on the selection or the document as a whole.
- **Tools:** A tool is the appropriate choice if the user will need to interact with the drawing or if mouse input is required. Unless you are implementing a new selection tool, the primary focus of a tool's interaction should not be selecting the objects to operate on. If you find that this is the case, try to implement your plug-in as a menu command and let the user select the objects with the selection tool. Good examples of tools are creation tools and the 3D view tools.

## Communication Between VectorWorks and Plug-ins

At launch time VectorWorks scans the entire Plug-ins folder gathering information on each valid plug-in file it finds. VectorWorks then calls the plug-in's definition procedure as required for the particular plug-in type. To call back to VectorWorks, the application uses a mechanism called the `CallbackPtr`. A `CallbackPtr` is a reference to a function internal to VectorWorks that services external requests (A `CallbackPtr` is actually a structure containing several fields, but its primary service is as a link to VectorWorks). When a plug-in calls a VectorWorks function, that function does not actually service the request. Instead, that function packages the request in a special form and forwards it to VectorWorks using the `CallbackPtr` you pass it. That is why all VectorWorks functions take a `CallbackPtr` as the first parameter.

Note: VectorWorks provides, as a parameter, a `CallbackPtr` every time it calls a plug-in. The `CallbackPtr` is only guaranteed to be correct until your function returns. Therefore, do not bother to save the `CallbackPtr` between calls to your plug-in because it may not be valid.

## Global Data

A plug-in may be unloaded between calls and any memory that the plug-in had allocated with the standard `new` operator or global data will go out of scope. In order to maintain global data between calls to a plug-in, memory must be allocated using the SDK function `GS_NewPtr()`. This will allocate the memory in the application's memory space, and will remain there until the plug-in calls `GS_DisposePtr`. A pointer to this data may be placed in the `userData` argument to the main function. VectorWorks will maintain this pointer for each plug-in and make it available the next time it is called.

There is another caveat about global data. Global and static variable are not automatically initialized even if they have a constructor. Unlike an application, there is no startup phase for a plug-in. There is no time that the compiler sets aside to initialize global data. The solution is to avoid using global data, and especially data of non-primitive types. If you must use a custom type for global data (which is not

unlikely), then make the global data a pointer or handle, and allocate the object during each call of your plug-in that needs it. Constructors are always called when an object is allocated with new.

## Menu Commands

The SDK supports several types of Menu Commands. A plug-in Menu Command can be either a single basic menu command or a block of several related menu commands, which is referred to as a menu chunk.

A Basic menu command implements a single menu item in a menu. Basic menu commands have no support for item checking, run-time item disabling, or multiple commands in a single plug-in. If you need any of these behaviors you can create a menu chunk.

A menu chunk displays several menu commands together in a menu, and shares the same source code. This is often desirable when the user needs to select between a group of related options that perform a very similar function.

All menus in VectorWorks, both internal and external, use the same framework of MITM resources, MMNU resources, and menu definition functions. Chunks, being the most general type of menu items, must support the widest array of options. Because of their generality, chunks require more setup and have more associated complications than single menu items.

There are three types of chunks:

**Plain** chunks contain a fixed number of items that are defined in the resource file in an MMNU resource. The size of these is fixed when they are implemented.

**Dynamic** chunks are constructed at runtime by the menu definition function. They can be any size, but the size cannot be changed after initialization. The Workspaces menu is an example of a dynamic chunk.

**Variable-dynamic** chunks are similar to dynamic chunks in that they are constructed at runtime. They are more flexible, however, because they can change their size at any time. The Layers menu, and Windows menu are examples of variable-dynamic chunks.

Because dynamic and variable-dynamic chunks have an unknown size when the menus are being built, the Workspace Editor only allows them to be placed at the end of a menu. Typically, they are placed in a hierarchical menu.

## Menu Command Main Function

The prototype for a Menu Command's main function is:

```
extern "C" long main(long action, long message, long& userData,
                    CallbackPtr cbp)
```

The parameters to the main function are:

**action** Identifies the task the menu command needs to perform, and determines the significance of the message parameter. The actions are described in detail below.

**message** This parameter's meaning depends on the value of the action parameter and the type of menu command. For some actions, it is unused. For chunks, the message parameter will often be a pointer to the following structure as defined in MiniCadHookIntf.h:

```
struct MenuChunkInfo {
    short menuID;
    short itemID;
    short modifiers;
    union {
        short chunkIndex;    // for kMenuDoInterface
        short chunkSize;    // for kMenuCheckHilite
        short commandID;    // for kMenuAddItems
    };
};
```

The meaning of these fields varies slightly for different actions and is explained below.

- userData** Four bytes of data that VectorWorks maintains for the plug-in between calls. This is necessary because a plug-in cannot directly maintain its state between calls. The section on the Development Environment explains in great detail the peculiarities of plug-ins and global variables.
- cbp** An implementation detail. See the documentation in Section III for more information.

## Menu Command Actions

The menu command main function will be called by VectorWorks, and will be passed one of several values for the action parameter indicating the task to be performed. Basic and Chunk menu commands must respond to the following values for the action parameter:

### kMenuInitGlobals

A workspace containing the plug-in has been loaded. This is the plug-in's opportunity to allocate and initialize all persistent data. A Macintosh handle to the data should be assigned to the `userData` parameter so that it can be used later for other actions. The message parameter is unused. This action should always return 0. This action will not be called again until a `kMenuDisposeGlobals` is passed.

### kMenuDisposeGlobals

A workspace containing the plug-in has been deselected. The menu command should finalize all outstanding actions and free any allocated data and resources. The message parameter is unused. This action should always return 0.

### kMenuDoInterface

The user has selected the menu command. The menu command should take whatever action is appropriate to implement its functionality. For basic menu commands the message parameter is unused. For chunks, the message parameter is a pointer to a `MenuChunkInfo` structure with the following fields:

```
mc->menuID; // Menu id of the menu containing this chunk
mc->itemID; // Item number of item before chunk's first item
mc->chunkIndex; // Index of the chunk item selected
                // where 1 is first chunk item.
mc->modifiers; // Modifiers from the mousedown event
```

Chunks should avoid using the modifier field because it may prevent the chunk from being called by a `VectorScript`.

The menu command should return `kMenuDidNotChangeDoc` if it did not change the document (this allows VectorWorks to activate and deactivate the save command when appropriate).

Chunks receive the following additional action values:

### kMenuItemEnabled

This action occurs when the menu item is called from a `VectorScript` using the `DoMenuTextByName` procedure. This action allows the system to efficiently determine whether a given menu item is enabled in order to return appropriate errors when the menu function is called from `VectorScript` or some other script system.

The message parameter is 0 if this is a basic menu item or the chunk index of the desired item if it's a chunk. You should examine the message parameter, efficiently determine whether this item is enabled or disabled, and return `kMenuItemEnabled` or `kMenuItemDisabled`. If the chunk index is not legal, (for example if it's larger than the number of items in your chunk), return `kMenuNoSuchItem`.

### kMenuCheckHilite

When the user clicks in the menu bar, this action is sent to all chunks in the menu system to allow them to prepare for display to the user. You can set the enabled state, set check marks, and change the text style for any or all of the items in your chunk. If your chunk is variable, you can delete items or add

new items in response to the current state of the drawing. You can use any standard menu manager routines to set up your chunk for display to the user.

Since all this must happen after the user clicks the mouse but before the menu is displayed, this is a time critical section of code. You should make every effort to avoid doing unnecessary work when you get this action.

The message parameter is a pointer to a MenuChunkInfo structure with the following fields:

```
mc->menuID; // The menu id of the menu containing this chunk
mc->itemID; // The itemID of the first item in the chunk
mc->chunkSize; // The number of items in this chunk
mc->modifiers; // The modifiers from the mousedown event
```

Return true if this call is necessary, false otherwise. (Return true if any items were disabled.)

Note: Avoid using the modifiers field of the MenuChunkInfo. Your menu item cannot be called correctly from VectorScript or other script systems if it depends on this information.

Warning: The resource fork of your plug-in file is not open when your code gets this message (for speed reasons). Your code cannot load resources from its file or make calls to code outside the main segment. This is a severe restriction, so be very careful when implementing the code for this action.

### kMenuNotify

This action notifies the menu chunk that a particular VectorWorks internal event has occurred. The menu must have previously registered for the notification. This is typically done in the kMenuInitGlobals action. For example, to register for the “Document Changed” notification you would call:

```
RegisterMenuForCallback (cbp, GetMyMenuCommandIndex (cbp), 'DOCC');
```

The menu will continue to receive a kMenuNotify action every time the active document changes until it unregisters by calling the function:

```
UnregisterMenuForCallback (cbp, GetMyMenuCommandIndex (cbp), 'DOCC');
```

The message parameter for this action indicates which event has occurred. The message is a 32-bit value of type OSType that can be represented as a four-character code. For example, the menu can test the message value as follows:

```
If (message == 'DOCC') {
  (*(MyInfoHandle)userData)->needsDocRebuild = true;
}
```

The menu can respond to the notification immediately or it can set a global flag for use later (as shown in the example above). Often it is best to postpone any significant work until it is required.

This action should always return 0.

Warning: The resource fork of your plug-in file is not open when your code gets this message (for speed reasons). Your code cannot load resources from its file or make calls to code outside the main segment. This is a severe restriction, so be very careful when implementing the code for this action.

### kMenuAddItems

The menu that contains this chunk has been constructed up to the item before your chunk. Add any items you want in your chunk to the end of this menu.

This action is only passed to dynamic and variable-dynamic chunks. Basic menu commands and plain chunks do not receive this action. It occurs once, immediately after kMenuInitGlobals and before any other action. If a variable-dynamic chunk can determine all of its items at this point it should do so.

The message parameter is a pointer to a MenuChunkInfo structure with the fields:

```
mc->menuID; // Menu id of the menu containing this chunk
mc->itemID; // Item number of item before the chunk's first item
```

```
mc->chunkIndex;    // unused
mc->modifiers;     // unused
```

Typecast the message parameter and then use it to retrieve the MenuHandle to your menu. Using this handle, you can add your chunk's items to the end of the menu with AppendMenu as follows:

```
MenuChunkInfoPtr mc = (MenuChunkInfoPtr) message;
MenuHandle myMenu = GetMenuHandle(mc->menuID);
AppendMenu(myMenu, "\pItem One");
AppendMenu(myMenu, "\pItem Two");
AppendMenu(myMenu, "\pItem Three");
```

If you would like to display the special characters ; ! > / ( in your menu item, you must use the following technique:

```
AppendMenu(myMenu, "\pdummy");
SetItem(myMenu, mc->itemID+1, "\pCalculate miles / gallon");
This action should always return 0.
```

If the items in your variable-dynamic chunk can change during the execution of VectorWorks then the MenuHandle can be updated during the kMenuCheckHilite action.

Note: Very few of Diehl Graphsoft's menu commands are implemented as chunks, as the basic behavior is almost always sufficient.

## Menu Command Definition Resource: MITM

All plug-in menus are defined by their MITM 128 resource, which is contained in the plug-in menu file. This resource is an extension of the item format used in MMNU resources so they don't have to be parsed separately. As such, the MITM structure contains some data that is unused. The fields described below are used by chunks. All other fields should be 0.

The fields of the MITM resource are defined as follows:

### Needs and NeedsNot

These two fields each contain one word of flags, which determine the default highlighting behavior of the menu item. Needs specifies conditions which must exist for the menu item to be available, and NeedsNot specifies conditions which must not exist. The meaning of each bit of the two flag fields is identical:

<u>Bit</u>	<u>Meaning</u>
0	VectorWorks Document is active.
1	Reserved
2	Reserved
3	Reserved
4	Reserved
5	Reserved
6	Reserved
7	There are one or more objects selected.
8	There is more than one object selected.
9	The selection contains at least one 2D object.
10	The selection contains at least one 3D object.
11	The current layer is in plan projection.
12	Reserved
13	Reserved
14	Reserved
15	Reserved

If Needs = 0 and NeedsNot = 0 then the item is always active. If Needs and NeedsNot both have a corresponding flag set, the item is always inactive. The reserved flags should not be set and in particular Needs = 0xFFFF and NeedsNot = 0xFFFF is a reserved setting.

You may wish to inspect the flag fields for VectorWorks' internal menu items by using ResEdit and inspecting the MITM resources in the VectorWorks application.

For menu chunks, the Needs and NeedsNot flags will enable and disable every item in the chunk. Before the selected menu bar is displayed to the user, kMenuCheckHilight actions are sent to all chunks so that they can modify the checked or highlighted state of each of their items.

#### Title

This string determines which name the user will see when in VectorWorks or Workspace Editor, and is also the string that can be changed to localize the plug-in for other languages. The actual file name of the plug-in should never be changed, however, because this is how VectorWorks finds the plug-in.

#### commandID

These are private fields used by VectorWorks and should always be 0.

#### Chunk

This flag indicates that this menu function implements a menu chunk.

#### Has Option Equivalent

Unused flag that should be set to False or 0.

#### Dynamic

This indicates that the chunk is built on the fly rather than being stored in an MMNU resource. The Dynamic flag only applies to chunks.

#### Variable

This flag indicates that the chunk can change size while VectorWorks is running. This flag only applies to dynamic chunks. Variable chunks can be placed only at the end of a menu in the Workspace Editor.

#### Reserved

These four flags are reserved for future use and should be set to False or 0.

#### iconID, keyEquivalent, keyFlags, mark Char/ sub menu id, style flags

The MITM resource describes a data structure that is a superset of Apple's item definition contained in the variable length data section of a MENU resource (see "Inside Macintosh: Toolbox Essentials" page 3-154). As such, the MITM fields with the same name as fields in the MENU usually have the same meaning. However, in the case of icons, there is a subtle difference. Inside Macintosh states that the iconID should equal the icon's resource ID -256. In an MITM, though, the iconID should equal the icon's ID.

For plain chunks (not dynamic), the "mark Char/ sub menu id" field of the MITM must contain the resource id of an MMNU resource which defines the titles of the chunk's menu items. For dynamic chunks this field should be 0.

#### chunk, dynamic, variable

To specify that your menu command accepts one of the extended message sets, set the appropriate flags to true. If your menu command is a chunk, but not variable or dynamic, then you will also need to provide a MMNU resource that describes the items in your chunk. Also, you will need to set the mark Char field to the ID of your MMNU.

## Tools

The VectorWorks SDK can be used to develop Plug-in Tools. These tools will be driven by the main event loop of the application- they will not run their own event loop. This enables VectorWorks to provide some standard behaviors across all tools, for example:

- auto zoom
- double-click switching to cursor
- deleting the most recent segment of a polygon, wall or other multiple point tool
- escaping a tool to start over without finishing current actions
- other view changes during a tool such as scroll bar keys

## Tool Main Function

The prototype for a Tool's definition procedure is:

```
extern "C" long main(long action, long message1, long message2, long&
userData, CallbackPtr cbp)
```

The parameters to the definition procedure are:

<b>action</b>	Identifies the context of the function call, and determines the significance of the message parameters
<b>message1</b>	The meaning of this parameter depends on the action.
<b>message2</b>	The meaning of this parameter depends on the action.
<b>userData</b>	Four bytes of data that VectorWorks maintains for the plug-in between calls. This is necessary because a plug-in cannot directly maintain its state between calls. The section on the Development Environment explains in great detail the peculiarities of plug-ins and global variables.
<b>cbp</b>	An implementation detail. See the documentation in Section III for more information.

## Tool Actions

Tools receive the following action requests:

### **kToolInitGlobals**

A workspace containing the plug-in has been loaded. This action will not be called again until **kToolDisposeGlobals** has been called. This is the plug-in's opportunity to initialize all persistent data. The message parameters are unused. This action should return 0 if initialization succeeded, otherwise return **kToolCouldNotInitialize**.

### **kToolDisposeGlobals**

A workspace containing the plug-in has been deselected. The tool should finalize all outstanding actions and free any allocated resources. The message parameters are unused. This routine should always return 0.

### **kToolDoSetup**

This tool has just become active. Activation occurs in two contexts as distinguished by the message1 parameter of the action call. If message1 equals zero then this is a setup that occurs when the user initially selects the tool. If message1 equals kSetupSetdownPauseRestoreFlag then the tool is being restored from a paused state. In either case the mode bar and help text should always be supplied. This action should return 0 if activation succeeded, otherwise return kToolCouldNotSetUp.

#### **kToolDoSetDown**

This tool has just become deactivated. Deactivation occurs in two contexts as distinguished by the message1 parameter. If message1 equals 0 then the user has deselected the tool. If message1 equals kSetupSetdownPauseRestoreFlag then the tool is being paused. In the pause case, the tool will be called again with a kToolDoSetup action with message1 equal to kSetupSetdownPauseRestoreFlag. This action should always return 0.

#### **kToolGetCursor**

Before the user clicks on the document with a tool, VectorWorks indicates the upcoming action by changing the cursor to reflect the mouse position on screen. This action is called by the framework to get the cursor for the tool. The message parameters are unused. This routine should return a value that specifies the appropriate cursor to be displayed. On the Macintosh, it should return the ID of a Macintosh 'CURS' resource which is either located in the VectorWorks application file or within the plug-in's file. On Windows, it should either return the id of a Windows cursor resource that is located in the plug-in's DLL file (not its RSR file), or return the id of a Macintosh 'CURS' resource that is located in the VectorWorks application file. Returning 0 will cause the cursor specified in the tool definition resource to be displayed. Any drawing that is done by the tool needs to be done during kToolDraw action handling and not during this action.

#### **kToolDoModeEvent**

The user has selected a mode in the mode bar. message1 is the index of the group the user clicked in. The high word of message2 is the old selection, the low word is the new selection. This action should always return 0.

#### **kToolDoDoubleClick**

The user has double-clicked on the tool's icon in a tool palette. If the tool is a creation tool then it should provide the user with a dialog to specify the new object. This is currently the only behavior implemented in VectorWorks in response to this action. Expanding the meaning of this action should be done with care. In particular, do not use it as an alternative interface to behavior for which VectorWorks provides a standard for access (for example: do not bring up a preference dialog in response to this action. Preferences should be accessed through a mode bar button).

Note that this is not the same as the new kToolDrawingDoubleClick action above.

#### **kToolPointAdded**

This action is called when the tool gets a mouse down in the content of the drawing. This action is also called for a click drag mouse up. The tool may return 0, kToolCancel, kToolCompleted, or kToolSwitchToCursor.

#### **kToolPointRemoved**

This action is called whenever the tool framework removes a tool point for any reason. Use this action to clean up any state that becomes stale with the removal of a tool point. The tool may return 0, kToolCancel, kToolCompleted, or kToolSwitchToCursor.

#### **kToolDraw**

This action is called when the tool needs to draw. The tool framework calls this draw action handling expecting the tool to draw itself. Tools use the GS\_GetToolPt APIs to determine the current state of the tool and draw appropriately.

#### **kToolHandleComplete**

This action is called when the tool has signified, through a `kToolGetStatus` return value, that the tool is complete. This is where the tool makes changes to the drawing. `kToolHandleComplete` action handling is the most likely location for UNDO callbacks. The tool may return 0, `kToolCancel`, or `kToolSwitchToCursor`.

#### `kToolGetStatus`

This action is called so the tool can return to the system the current state of the tool. A tool can return the result of `GS_OnePointToolStatus`, `GS_ClickDragToolStatus`, `GS_TwoPointToolStatus`, `GS_ThreePointToolStatus`, or `GS_PolyToolStatus`. In addition the tool can provide custom status behavior by returning one of the following: `kToolCompleted`, `kToolCollectingPoints`, or `kToolWaitingForFirstPoint`.

#### `kToolMouseMove`:

This action is called when the mouse moves over the content of the drawing. If the tool has the tool definition resource `screenBasedCursor` flag set it gets `kToolMouseMove` action calls whenever the mouse moves a pixel. If the tool does not set the `screenBasedCursor` flag, it gets called whenever the `smartcursor` snaps to a new point.

#### `kToolDrawingDoubleClick`

This action is called whenever the user double-clicks in the content of the drawing window with two or more Tool points. Tools do not handle this unless they wish to override the default behavior. The default behavior is to switch to the cursor tool. Most tools that provide an override are multi-segment tools that complete with double-click. The return value for `kToolDrawingDoubleClick` is one of `kToolCompleted`, `kHandledDocumentDoubleClick` to override the default behavior. If `kToolCompleted` is returned the tool's `kToolHandleComplete` action handler will be called.

#### `kToolOnCustomBarEvent`

The tool has installed a custom bar using the `GS_CustomBarInstall` API. While the Custom Bar is installed the tool will receive this action. Other APIs are provided to manage the custom databar. The `message1` parameter is a pointer to a `CustomBarEventData` structure.. See `MiniCadHookIntf.h` for a description of these custom bar events.

#### `kToolOnInitXProperties`

A workspace containing the plug-in has been loaded. This action is called following the `kToolInitGlobals` action. This action allows the tool to install any additional extended properties using the `GS_SetToolProperty` and `GS_SetToolPropertyChar` APIs. The `message1` parameter contains the `CodeRefID` for this tool's definition procedure. This `CodeRefID` is needed for the `GS_SetToolProperty` and `GS_SetToolPropertyChar` APIs. Some properties have associated actions. See `MiniCadHookIntf.h` for a list of extended tool properties and any associated actions.

## Tool Definition Resource: TDef

Every tool has a TDef resource of ID 128. Each of the fields of the TDef resource are described below:

#### `disablePickUpdate`

When set to true, the automatic updating of the Tool Pick Record is disabled. Normally, as the mouse is moved over the document, VectorWorks automatically finds out what objects are near the mouse for the `kToolDoPick` action. This may take a significant amount of time on large documents. Tools which do not need this functionality, such as pure creation tools, should set this flag.

#### `needsPlan`

If a tool requires the current projection to be set to plan, set this flag.

#### `needs3DProjection`

If a tool requires a non-plan projection, set this flag.

#### uses3DCursor

Tools that operate using 3D grid and snapping points should set this flag.

#### screenBasedCursor

Activating this flag disables all gridding and snapping of the mouse when functions such as GetCoords are called.

#### dontShowScreenHints

Tools for which the smart mouse screen hints are not useful can turn off the display of those messages by setting this flag.

#### iconID

The iconID field indicates the resource ID of the icon to be displayed in the tool palette, which should also be included in the resource file.

#### defaultCursID;

If the Tool definition function returns 0 in response to a kToolDoPick message, then VectorWorks sets the cursor to the one specified by defaultCursID.

#### messageStr

When the tool is selected (before the kToolDoSetup message has been passed to the definition function) this string is set into the message bar.

#### waitMoveDist

For many tools, a good user interface allows a bit of “slop” before the tool actually takes effect. The value of waitMoveDist is a distance in screen pixels that the mouse must move before VectorWorks calls the tool definition function. If this distance is not exceeded before the tool click is finished, then a selection tool is automatically made active.

#### constraintFlags

This bit-field determines which constraints the user has available when the tool is active. Each bit represents one of the constraints, with 1 indicating an available constraint. For the 10 current constraints, adding together a combination of the following values will enable the appropriate constraints:

1	Snap to Grid
2	Snap to Objects
4	Snap to Surface/Working Plane
8	Snap to Intersection
16	Snap to Distance
32	Constrain Parallel
64	Constrain Perpendicular
128	Constrain to Angle
256	Constrain Symmetrical
512	Constrain Tangent/to Working Plane Normal

For example, to activate only the Snap to Grid and the Snap to Intersection constraints, set  $\text{constraintFlags} = 1+8 = 9$ .

VectorWorks tools generally fall into one of three “families” of constraint availability depending upon which type of geometry the user is setting: points (locus tool), lines (segment tool, polygon tool), or boxes (ellipse by rectangle tool and rectangle tool). One of these three sets of constraints flags often contains the correct constraintFlags for new tools.

## Min Version

This field holds the earliest version of VectorWorks that will properly run a plug-in. Each callback contains the version of VectorWorks that first supported it, put the latest callback version in the Min Version field.

## Databar Mode

When the user clicks into the document, VectorWorks sets the Data Display Bar to the mode specified in this field. The file `MiniCadCallbacks.h` lists the available constants. If the plug-in does not need to change the Data Display Bar or needs to set a custom set of bars, set this field to 0.

## Tool Icon

All Plug-in Tools should include an 'ICN#' and an 'ic18' resource to define the black-and-white and color icons. This icon appears on the tool palette in VectorWorks. The ID must be greater than 11000 and must match the corresponding field in the TDef resource.

## Tool Related Callbacks

Several callbacks support SDK Plug-in Tools and are documented in the FileMaker database "VW11 SDK Library.fp5".

## **Plug-in Objects**

VectorWorks supports another type of plug-in called a Plug-in Object. This feature provides a way to deliver more powerful and easy to use objects. It will also make it possible for distributors and users to create their own custom objects. A plug-in object will behave like a built-in object, and will draw itself based on the current values of its parameters. Users can easily edit the parameter values using the Object Info palette as they do with all VectorWorks objects.

When developing a Plug-in Object, you will actually need to develop two plug-ins: an object and either a tool or menu. The associated Tool or Menu will be used to provide a user interface for the creation of the Object. It may be as simple as a Tool which allows the user to click once in the drawing to place the Object, or it may be a Menu Command that displays a complex series of dialogs which allow the user to initialize the Object before it is created. The Plug-in Object's code will not present a user interface. It will simply draw the object based on the current parameter values. It will be called automatically by VectorWorks whenever the object needs to be regenerated. This may be in response to the user changing a parameter value on the Object Info palette for example.

## **Plug-in Object Types**

There are several different types of Plug-in Objects. Each type supports different creation and editing features. All types of Plug-in Objects contain a translation matrix that contains the location and rotation angle for that object. The matrix also enables the developer to write the object's code as if it were inside a local coordinate space (i,j). For example, if the developer writes code to draw part of the object at (0,0), then that is the origin of the object's space, not the global space. Most object's won't need to know where in global space they are located, and won't need to know if they are rotated. This will simplify the developer's task.

The object types are:

- Point Plug-in Object
- Linear Plug-in Object
- Rectangular Plug-in Object
- 2D Path Plug-in Object
- 3D Path Plug-in Object

A Point Plug-in Object is typically created by asking the user to click once in the drawing to specify the location point. A second click can be used to specify the rotation angle of the object. This is similar to the way Symbols are inserted in VectorWorks. Once created, a Point object cannot be reshaped using the cursor tool, only by changing its parameter values on the Object Info palette.

A Linear Plug-in Object has two points that define its geometry. It actually has a matrix and a special length field. The first user-specified point is the origin of the matrix, and the second point is on the i-axis of the matrix at a distance from the origin defined by the length field. The special length field is actually a parameter named "LineLength" of type kFieldCoordDisp or 7. After a Linear object is created, the user can reshape it using the cursor tool by clicking and dragging either endpoint.

A Rectangular Plug-in Object is similar to a linear object with an additional field. It has a "LineLength" and "BoxWidth" field that define its shape. The origin will be at the midpoint of one side of the rectangle, and the i-axis is along the center line. The rectangle is symmetrical about the i-axis, and therefore half of the object will be drawn with positive "j" values, and half will be drawn with negative "j" values. A Rectangular object will display eight handles when selected. These handle allow the user to graphically reshape the object by dragging them.

Path Plug-in Objects contain a polyline or NURBS curve path object to help define their shape. The object may be reshaped using the reshape tools, or the Object Info palette.

## Tool for Plug-in Object

A Tool that is associated with a Plug-in Object is the same as any other Tool developed with the SDK, with a few exceptions. It will have an additional definition resource, and will call some Object-related callbacks.

In the `main()` function, the tool should respond to the `kToolHandleComplete` action by calling the `GS_CreateCustomObject()` callback. If this is the first object of this type to be created in a drawing, a dialog is presented so the user can set default values for the parameters. Then a parametric object is created in the drawing at the location specified.

If a preferences button is supported by the tool, then it should respond to the `kToolDoModeEvent` action by calling the `GS_DefineCustomObject()` callback. This will present a dialog for the user to set preferred default values for the parameters. These default values will be stored in the drawing file but no object is created.

To support the double-click creation feature, respond to the `kToolDoDoubleClick` action by calling `GS_CreateCustomObjectDoubleClick()`.

In addition to the standard tool definition resource ('TDef' 128), a plug-in tool for plug-in objects must contain another definition resource ('PDef' 128). This resource specifies the name and version number of the plug-in object. The Tool file and the Object Regeneration file must contain copies of the same 'PDef' resource. The name is currently limited to 20 characters and must be unique within VectorWorks. The first two characters of the name could be a prefix that identifies the developer. The prefix "GS" and is reserved for use by Nemetschek North America. The version number is an integer in the range 0 to 32767. It can be used to identify which version of a tool created an object in the drawing. You should increment the version number if you change the number, type, or names of parameters (see "Parameter Definition" below). You may not need to increment the version number if the only changes were made to the Regeneration algorithm.

As a developer, you should increment the version number of your plug-in objects as infrequently as possible. There is no need to increment it during development, only if you change the object after you have already shipped a version to users.

## Plug-in Object Main Function

The Plug-in Object's definition file defines both the behavior and data of a plug-in object. It defines the behavior by implementing a definition procedure and specifies the parameters within a resource.

The prototype for an Object's definition procedure is:

```
long main(long action, Handle parmHand, long message, long &userData, CallbackPtr cbp)
```

The parameters to the definition procedure are:

<code>action</code>	Identifies the task the tool needs to perform, and determines the significance of the message parameter.
<code>parmHand</code>	Handle to a Plug-in Object instance in drawing.
<code>message</code>	The meaning of this parameter depends on the action. For example, with the <code>kParametricPreference</code> action <code>message</code> is a Handle to the object's Format node.
<code>userData</code>	Four bytes of data that VectorWorks maintains for the plug-in between calls. This is necessary because a plug-in cannot directly maintain its state. For example, the plug-in may store a pointer to a C++ class here.
<code>cbp</code>	Callback pointer needed to pass as first argument to VectorWorks callbacks.

## Plug-in Object Actions

The main function's action argument will be one of the following values:

### `kParametricInitGlobals`

The application is launching. This action will not be called again until after `kParametricDisposeGlobals` has been called. This is the plug-in's opportunity to initialize all persistent data. The message parameter is unused. Return `kParametricNoErr` if initialization succeeded, otherwise return `kParametricSetupFailed`.

### `kParametricDisposeGlobals`

The application is quitting. The code should finalize all outstanding actions and free any allocated resources. The message parameter is unused. This action should always return `kParametricNoErr`.

### `kParametricRecalculate`

A parameter value has been changed or the parametric object has been moved, rotated or changed in some other way. Regenerate all drawing objects that define the look of this plug-in object based on the current values for the parameters. This is the most important action for the regeneration file. The message parameter is unused. Return `kParametricNoErr` or `kParametricError`.

### `kParametricPreference`

This action gives the plug-in file an opportunity to pose a custom dialog so the user can set default values for parameters or initialize an object that is about to be placed in the drawing. It is optional, and if the Plug-in Object chooses not to present its own custom dialog then the VectorWorks application will present a standard dialog.

A Plug-in Object may wish to present its own dialog if, for example, it needs to display a picture that explains the meaning of each parameter graphically. If the plug-in regeneration file implements a dialog, it should return `kParametricPrefOK` if the user hit the OK button and `kParametricPrefCancel` if the user hit Cancel. (For compatibility with earlier versions of VectorWorks, the Plug-in Object may also return `kParametricNoErr` meaning OK.)

If a Plug-in Object does not display its own dialog, it should return the constant `kParametricNotImplemented`. In this case, a standard dialog will be provided by VectorWorks. Most Plug-in Object will probably just allow VectorWorks to present the dialog.

Note that a Plug-in Object can ONLY show a dialog in response to this action. It should never present a dialog or alert during any other action.

### `kObjOnInitXProperties`

Plug-ins objects can specify extended properties. This action is called when the 'Has Extended Properties' field of the 'PXpr' resource is set. The message parameter contains the CodeRefID for this object's definition procedure. Use the CodeRefID and the `GS_SetObjectProperty` and `GS_SetObjectPropertyChar` APIs to install extended object properties for the object. Some properties have associated actions. See `MiniCadHookIntf.h` for a list of extended object properties and any associated actions.

## Plug-in Object Resources

The regeneration file must contain a definition resource of type 'PDef' with id 128 to specify the name and version number of the object. The regeneration file and the tool file must both contain copies of the same 'PDef' resource. The information within this resource is used to associate the tool file, regeneration file, and VectorWorks object with each other. Filenames are not used for this purpose.

This custom resource and the others described below are defined by a template in the file "GSTMPL.rsrc".

Note: The resource type 'PDef' was introduced in VectorWorks 10 to replace the 'PDef' resource. It includes an additional string so that the developer may specify both a universal name and localizable name for a plug-in object. This improves international support. The old resource 'PDef' will continue to be supported for a limited time.

## Plug-in Object Parameter Resource

Each parameter should be specified with a universal name, display name, type, and default value. This information is specified in a 'Prm#' resource with id 128. It is a list of entries that consist of the following information:

Parameter Resource Format ('Prm#)		
Size (bytes)	Field Name	Description
63	universal parameter name	Name used by VectorWorks to uniquely identify this parameter. After a plug-in is distributed to users, this name should not be changed. This name is only displayed in user interface if the localized parameter name is blank.
63	localized parameter name	Name of parameter that is displayed in the user interface of VectorWorks. This name should be translated to appropriate language when plug-in is localized.
255	default value	Default value of parameter in human-readable string format. (Include units mark for dimension type parameters.)
1	type	Type of parameter (see table below).
2	choices	The id of a 'Chc#' resource containing list of choice strings for popup menu or radio button parameters. (Only used for parameter types 8 or 9.)

The parameter types are defined in MiniCadCallbacks.h and summarized in the following table:

Parameter Types		
Type	Constant	User Interface Description
1	kFieldLongInt	Integer number edittext
2	kFieldBoolean	Checkbox
3	kFieldReal	Real number edittext
4	kFieldText	Edittext
5	kFieldCalculation	N/A
6	kFieldHandle	N/A

7	kFieldCoordDisp	Displacement dimension edittext
8	kFieldPopUp	Popup menu
9	kFieldRadio	Radio button group
10	kFieldCoordLocX	X-axis Location dimension edittext
11	kFieldCoordLocY	Y-axis Location dimension edittext

Note: The resource type 'Prm#' was introduced in VectorWorks 10 to replace the 'PARM' resource. It includes an additional string for each parameter to improve international support. The old resource 'PARM' will continue to be supported for a limited time.

### Popup Menu and Radio Button Choice Resource

For parameters of type kFieldPopup and kFieldRadio, additional resources must be defined within the regeneration file. The strings to define each item of a popup menu or each item within a radio button group must be specified in a 'Chc#' resource. The id of this resource is stored in the 'choices' field of the 'Prm#' resource entry for the appropriate parameter.

Popups and Radio groups are logically very similar: only one choice of several may be chosen at a time. For Plug-in Objects, these two items are physically similar also. For popups and radio groups, the text of the chosen item is stored as the value of the parameter, not its index position. This enables VectorWorks to display the values of all parameters even if the regeneration file is missing. It also facilitates updating versions.

The 'Chc#' resource is a list of entries containing the following information:

Size (bytes)	Field Name	Description
255	Universal Choice String	String used by VectorWorks to uniquely identify this choice. After a plug-in is distributed to users, this name should not be changed. This name is only displayed in user interface if the localized choice is blank
255	Localized Choice String	String that is displayed in the user interface for this choice. This name should be translated to appropriate language when plug-in is localized.

### 'POpt' Resource

This resource contains four boolean options that determine how the object is inserted into walls.

- Wall Insert on Edge
- Wall No Break
- Wall Half Break
- Wall Hide Caps

The default is for all options to be off which would give the following behavior: the object would insert into the center of a wall causing a full break with caps.

### 'PExt' Resource

This resource contains three flags that modify the behavior of the Plug-in Object.

- Object SubType:
  - 0 for Point Plug-in Objects that insert like symbols
  - 10 for Linear Plug-in Objects
  - 20 for Rectangular Plug-in Objects
  - 30 for 2D Path Plug-in Objects
  - 40 for 3D Path Plug-in Objects
- Reset on Move
  - If this flag is on, then object will get `kParametricRecalculate` action whenever the object is moved. Most plug-in objects will not need to be reset after a move, and therefore for better performance this flag should default to off.
- Reset on Rotate
  - If this flag is on, then the object will get `kParametricRecalculate` action whenever the object is rotated. Most plug-in objects will not need to be reset after a rotation, and therefore for better performance this flag should default to off.

#### **‘PXpr’ Resource**

This resource contains a Boolean option to specify that the object has extended properties. A plug-in with this property set is called with a `kObjOnInitXProperties` action. With the `kObjOnInitXProperties` action call the plug-in’s definition procedure can specify extended properties with the `GS_GetObjectProperty` and `GS_GetObjectPropertyChar` APIs.

## Custom User Interface

Starting with version 11.0 of VectorWorks, plug-in objects can control which parameters appear on the Object Info Palette, alter the text of any parameter, change the order that parameters appear, and add buttons or static text to the parameter list.

In order for a plug-in object to gain this flexibility, it must first configure itself to be “event-aware”. This is accomplished by adding a `PXPR` resource to the plug-in object, with ID 128, and setting it’s state to true.

The next step is for the plug-in object to set the Override UI property. This is accomplished when the plug-in is loaded by responding to the `kObjOnInitXProperties` event, which is sent when the plug-in is first loaded. Upon receiving this message, the plug-in calls `GS_SetObjectProperty()` with the `kObjXPropHasUIOverride` property set to true.

At this point, the plug-in can begin to insert parameters. The plug-in must then insert the parameters it wants to be displayed in the Object Info Palette; only these parameters inserted by the plug-in will be displayed. All this takes place by code that handles the `kObjOnInitXProperties` event.

The SDK functions necessary for this feature are described in detail below:

```
GS_InsertAllParametersAsWidgets(          CallbackPtr cbp,  
                                long ObjectID)
```

Inserts all parameters from the Prm# resource, in order, into the parameter list.

cbp	callback pointer
ObjectID	ID of plug-in obtained from the message parameter

```
GS_AppendWidget( CallbackPtr cbp, long ObjectID,
  int widgetType, int eventID,
  ConstStr255Param text, long data)
```

Appends a widget to the end of the parameter list. This function is for use only with the new parameter types introduced in VectorWorks 11, namely, the button and static text.

cbp	callback pointer
ObjectID	ID of plug-in obtained from the message parameter
widgetType	One of the new widget types (12 = button, 13 = static text)
eventID	Value that you would like VectorWorks to send in the message parameter when that widget is clicked
text	Associated text for that widget
data	Reserved for future use

```
GS_InsertWidget( CallbackPtr cbp, long ObjectID,
  int position, int widgetType, int eventID,
  ConstStr255Param text, long data)
```

Inserts a widget into the parameter list at any point. This function is for use only with the new parameter types introduced in VectorWorks 11, namely, the button and static text.

cbp	callback pointer
ObjectID	ID of plug-in obtained from the message parameter
position	0-based position at which this new widget will reside
widgetType	One of the new widget types (12 = button, 13 = static text)
eventID	Value that you would like VectorWorks to send in the message parameter when that widget is clicked
text	Associated text for that widget
data	Reserved for future use

```
GS_InsertParameterWidget(CallbackPtr cbp, long ObjectID,
  int position, int parameterID,
  Constr255Param text, long data)
```

Inserts an existing parameter from the P<sub>RM</sub># resource into the parameter list at any point. This function is for use only with existing parameters in the P<sub>RM</sub># resource.

cbp	callback pointer
ObjectID	ID of plug-in obtained from the message parameter
position	0-based position at which this new widget will reside
parameterID	1-based index of an actual plug-in parameter to insert (i.e., a parameter defined in the P <sub>RM</sub> # resource)
text	Associated text for that widget
data	Reserved for future use

```
GS_AppendParameterWidget(CallbackPtr cbp, long ObjectID,
  int parameterID,
```

`Constr255Param text, long data)`

Appends an existing parameter from the `Prm#` resource to the end of the parameter list. This function is for use only with existing parameters in the `Prm#` resource.

<code>cbp</code>	callback pointer
<code>ObjectID</code>	ID of plug-in obtained from the message parameter
<code>parameterID</code>	1-based index of an actual plug-in parameter to insert (i.e., a parameter defined in the <code>Prm#</code> resource)
<code>text</code>	Associated text for that widget
<code>data</code>	Reserved for future use

## Plug-in Library Routines

A Plug-in Library is the newest type of Plug-in for VectorWorks. It enables developers to provide services to other plug-ins, to the main application, and to VectorScripts. They typically do not present any user interface, but simply perform some calculation or algorithm and then return the results. Several library routines can be packaged together into one Plug-in Library.

One specific use of these Plug-in Library Routines is to implement new VectorScript API routines using the C++ language and the SDK interface. They can also be used to replace existing VectorScript API routines to fix bugs for example. The SDK Plug-in Library Routine can be shipped or distributed separately and more often than the whole VectorWorks package. The VectorScript syntax to call one of these routines is the same as any other existing routine. The script developer should not know or care where the routine is actually implemented: within the application or within a plug-in.

### Plug-in Library Routines Main Function

The prototype for a plug-in library is:

```
long main(long routineSelector, void* argTable, long &userData,
          CallbackPtr cbp);
```

The parameters to the main function are:

<code>routineSelector</code>	Specifies which routine within the library the application is calling. It is a zero-based index that corresponds to the 'VLIB' resource id for a routine.
<code>argTable</code>	A pointer to a variable length structure describing the interface to the library routine. It contains the list of arguments, their types and values.
<code>userData</code>	A pointer that may be used to store data between calls to the library.
<code>cbp</code>	The callback pointer.

The Plug-in Library's main function will typically contain a switch statement that will call the appropriate routine based on the value of the `routineSelector` argument. For example, if the plug-in contains three 'VLIB' resources with ids 0, 1, and 2, then the main function may look like:

```
{
    const short kMyRoutineID      = 0;
    const short kAnotherRoutineID = 1;
    const short kSomeRoutineID    = 2;

    switch(routineIndex) {
        case kMyRoutineID:
            MyRoutine();
            break;
        case kAnotherRoutineID:
            AnotherRoutine();
            break;
        case kSomeRoutineID:
            SomeRoutine();
            break;
    }
}
```

## Plug-in Library Routine Resources

A separate 'VLIB' resource should be created for each routine within the library. These resources should be numbered sequentially starting at zero without any gaps in the numbering.

Plug-in Library Routine Resource Format ('VLIB')	
Field Name	Description
Routine Name	Name of the Plug-in Library Routine
Category	Category used to sort routines in the VectorScript Editor's "Procedures" dialog
Description	Description used in the VectorScript Editor's "Procedures" dialog
Version	Version number of the routine
Scope	Determines who can call this routine. Default of 0 allows anyone to call.
Has a Return Value	Set to true for VectorScript Functions, false for VectorScript procedures.
Argument Name	Name of an argument that will be passed into the library routine
Argument Type	Type of the argument. See table below or header file "MiniCadCallbacks.h".

A Plug-in Library Routine can specify that it has a return value. This would be useful if it implemented a VectorScript function as opposed to a VectorScript procedure. The 'VLIB' resource has a checkbox to specify this. The last entry in the argument list of the 'VLIB' should be used to specify the return value. In the Plug-in Library Routine's code, it must set the return type to match what was specified in the 'VLIB' in addition to setting the return value.

## Calling a Library Routine

An SDK Plug-in Library Routine may be called from a VectorScript or from another SDK Plug-in. Developers can refer to a list of currently installed library routines, and their code can verify that a particular routine is available at runtime also.

A VectorScript developer can use the "Procedures" dialog to see a list of available routines. At runtime, the script can verify that a routine is currently installed by calling `VerifyLibraryRoutine()`. This technique will allow the script to continue to compile and run successfully even if a library routine is not available.

```
procedure test;
var
  update : BOOLEAN;
begin
  if VerifyLibraryRoutine('SomeRoutine') THEN
    SomeRoutine(24);
  else begin
    Message('The routine SomeRoutine is not available.');
```

```
    AnotherRoutine(24);
  end;
end;
run(test);
```

The syntax for calling a library routine and passing in arguments is the same as for a built-in routine.

An SDK developer can use the file "VWPluginLibraryRoutines.h" to see a list of all currently installed library routines. This text file is written into the Plug-ins folder every time VectorWorks launches. An

SDK Plug-in can call `GS_VerifyPluginLibrary()` to determine at runtime if a library routine is available. An SDK Plug-in must do a little extra work before calling a library routine however. It must build an argument table to pass in.

```
PStr63 libRoutineName;
libRoutineName = "TestRoutine";
long status = 0;

// Allocate the argument table.
PluginLibraryArgTable* theArgs = new PluginLibraryArgTable;

// Setup arguments.
theArgs->args[0].argType = kPointArgType;
theArgs->args[0].ptValue = WorldPt(1,2);

theArgs->args[1].argType = kLongVarArgType;
theArgs->args[1].longValue = 345;

// Call it
wasCalled = GS_CallPluginLibrary(gCBP, libRoutineName, theArgs,
status);

if (wasCalled) {
    // Get the return value and any pass-by-reference arguments
    short myReturnValue = theArgs->functionResult.intValue;
    long myLong          = theArgs->args[1].longValue;
}
```

## Memory Management and Other Options

Normally plug-in libraries are only loaded into memory when they are called and then they are unloaded immediately afterward. This allows efficient use of memory by the VectorWorks application since libraries that are never (or rarely) used do not consume resources. However, there may be circumstances where a developer needs to override this behavior and control to some extent when their library is loaded. VectorWorks provides a technique to address this situation.

When a plug-in library receives the `kPluginLIBInitGlobals` action, it can use the constant `kAddCodeReference` to request that it remain loaded. The constant is a bit flag, so the OR operator should be used to turn on a bit in the return value for the Plug-in Library. For example:

```
returnVal |= kAddCodeReference;
```

In the `kPluginLIBDisposeGlobals` action, the plug-in can use `kReleaseCodeReference` constant. Again the constant is used with the OR operator since there may be other flags returned in this value also.

```
returnVal |= kReleaseCodeReference;
```

Another memory related option that Plug-in Libraries have is to determine how the `userData` argument is used. By default, each routine within a library gets its own `userData` storage. If the library would like to share one `userData` among all routines within a library, then it can use the `kUseSingleUserDataFlag` constant when preparing a return value for the `kPluginLIBInitGlobals` action. For example:

```
returnVal |= kUseSingleUserDataFlag;
```

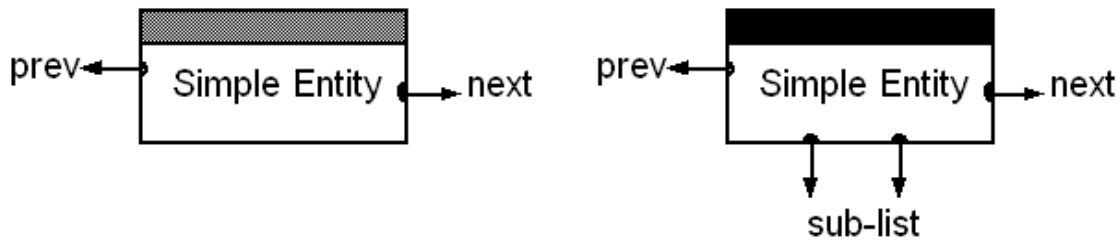
When VectorWorks calls a Plug-in Library routine, the resource file associated with that plug-in is also opened. If the library does not require any resources it can tell VectorWorks to leave the resource file closed. The `kDoNotOpenRsrcFileWithCallFlag` constant can be used during the `kPluginLIBInitGlobals` action. For example:

```
ReturnVal |= kDoNotOpenRsrcFileWithCallFlag;
```

## Section II: The VectorWorks Environment

### Entities

The simplest element of the VectorWorks environment is the entity. Every entity has a type (found by calling `GetObjectType`) which indicates what other properties it has, a position in a drawing list (found by calling `NextObject`, `PrevObject`, and `Parent`), and an auxiliary list (described below). In addition, some entities, called containers, also hold a sub-list of entities and can return the first and last entities in that sub-list. Layers and Groups are examples of container entities.



### Lists

VectorWorks uses two types of lists to hold drawing data, explicitly and non-explicitly terminated lists. Explicitly terminated lists maintain a node at the very end of the list of the type `termNode`. This node is used as both a signal of the end of the list and more importantly to store a reference back up the tree to the list's parent. Non-explicitly terminated lists do not have a special termination node, and the end of the list is indicated by a `nil` reference in the last node's next pointer. Because this type of list does not have a terminal node, it is not possible to backtrack up the tree to the parent without maintaining a reference to the parent yourself. All lists of drawing objects are explicitly terminated.

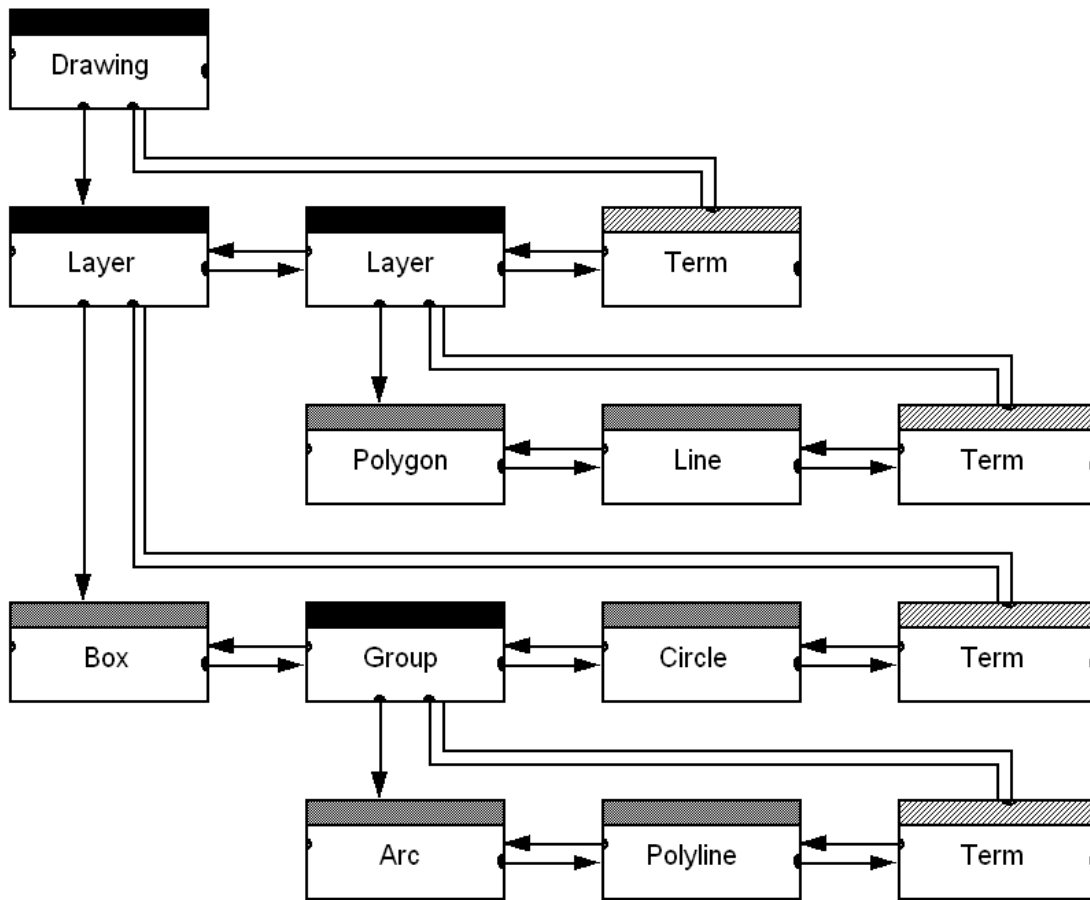
In addition to drawing object lists, there is another type of list, the auxiliary list. Aux lists provide for supplementary data to be associated with an object (such as record data or cavity lines for a wall) that is saved with the document. An aux list is an unsorted, non-explicitly terminated list that can be searched by keys. Some records in an object's aux list may have public interfaces, but most data in the aux lists is private and should not be used.

As mentioned above, the aux list is unsorted which means that a plug-in should not assume the sequence of nodes on that list. A plug-in should search the list for the node type it is interested in, and then verify that it has found the correct node before using it.

VectorWorks defines a special type of aux object for use by plug-in developers, the `userDataNode`. It is an aux object with a type of `userDataNode` and an internally maintained tag of type `OSType` that the plug-in writer can use as a signature. To create a `userDataNode`, define a class or record that descends from `UserDataNode` (defined in `MCCallbacks.h`) or which contains a `UserDataNode` object as the first member. Either method will reserve the necessary space at the head of the structure for VectorWorks use. Next, call `NewDataObject`, passing it the size and signature of your private `DataNode` type. You now have an aux object that can be safely used with the supplied aux lists callbacks. For convenience `FindDataNode` has been supplied to simplify locating your private data objects.

### Drawings

#### VectorWorks Document Structure and List Management



The drawing list can be viewed as a tree. Its root is called the drawing header. The drawing header is a container entity whose sub-list contains all the entities in the drawing. The first level of sub-objects in the drawing header is layers. The drawing header is the only object that can contain layers, and it contains every layer in the drawing. A layer contains all the entities that are on that layer, but not every entity on the layer is in the layers sub-list. Some entities on the layer are contained within other entities on the layer. A rectangle in a group on a layer is contained by both the group and the layer but only appears in the sub-list of the group. Since the group is in the layer's sub-list, however, the layer does indirectly contain the rectangle.

The auxiliary list of the drawing header holds all the defining entities global to the document. These include symbol definitions, record formats, worksheets, and command palettes.

## List Traversal

Traversal is useful because it allows you to perform an operation on a set of drawing objects that meet some criteria that you specify. For example you might want to:

- Move all selected objects three inches to the left,
- Resize all selected objects that are arcs of angles less than ten degrees to ten degree arcs,
- Find every wall in the current layer and insert studs into the layer '<current> construction'

VectorWorks provides two methods to search the drawing list. The first and preferred method is through the routine `ForEachObject`. `ForEachObject` can perform either a shallow or deep traversal, in drawing order (back to front) starting from any point in the tree. If you use it to do a deep traversal from the drawing header it will iterate over every object in the drawing. If, instead, you did a shallow traversal from the drawing header it would only return references to the layer objects in the drawing. `ForEachObject`

also takes as a parameter a selection clause that allows you to specify certain constraints that an object must meet to be enumerated. This filtering is limited to the following attributes: is the object selected, editable, a drawing object, or a symbol definition. The last criterion is a special case as symbol definitions are not in the drawing tree, only symbol instances are. Symbol definitions are kept in a separate tree also rooted at the drawing header. They are organized according to the same method drawing objects are (as symbols are comprised of drawing objects). More information on the symbol definition list and symbol definitions can be found in the section on Special Objects. Filtering based on other criteria must be hand coded.

`ForEachObject` works by calling a user supplied function once for every object it finds. The user-supplied function must be of the type `ForEachObjectProcPtr`.

```
typedef void (*ForEachObjectProcPtr)(Handle h, CallbackPtr cbp, void *env);
```

The argument “h” is a handle to the object `ForEachObject` found. `cbp` is a parameter used in communicating between a plug-in and `VectorWorks`; it is discussed in detail in the section on the Development Environment. `env` is a pointer to data supplied as a parameter to `ForEachObject`. It is through `env` that the calling function can share data with the called function. See the tutorials for examples of `ForEachObject`. It is one of the most important and frequently used functions `VectorWorks` provides. It is also one of the more difficult to use correctly, so take time to study the examples.

The second method for traversing the drawing tree is through standard tree walking functions. `VectorWorks` provides routines to move between siblings in the tree, `NextObject` and `PrevObject`; to move to the parent of a node, `ParentObject`; and to move to the children of a node, `FirstMemberObject` and `LastMemberObject`. Using these functions you can implement any type of tree walking algorithm. This flexibility is more difficult to implement and manage than `ForEachObject` so it should only be used when necessary.

## **Units**

Before discussing some specific information about entities, an understanding of the different coordinate spaces used by `VectorWorks` is important. `VectorWorks` defines and manages the space through coordinate systems it imposes on it. The following are the basic coordinate systems:

### **Model**

The units presented to the user. `VectorWorks` never expects these units as parameters and uses them only for display of information to the user.

### **World**

World space is the 3-dimensional `VectorWorks` universe. The vast majority of internal `VectorWorks` calculations are performed in world space, and most of the SDK routines that refer to object positions and distances are represented in world space.

World space values are represented by a double precision floating point data type. One world coordinate currently represents one millimeter, but that relationship is not guaranteed to hold in future versions of `VectorWorks`. See the bottom of this section for a description of constants and functions that can be used to interpret and translate world space values.

### **Local**

Some `VectorWorks` entities (symbol definitions, extrudes, multiple extrudes, sweeps, and layer links) use simple entities to define their geometry and store these defining entities in local coordinates. This coordinate system differs from world space only in the offset used to convert to model space.

### **View**

This coordinate system is discussed only for completeness, and few situations require use of this coordinate space. A 2D-only space which represents the viewable area of the document window, this coordinate system is used only for drawing to the screen. The mapping from world space to view space changes frequently so view space coordinates are usually useless for anything but immediate drawing. If you wish to draw something to the screen, use the world space drawing routines provided. The basic type of this system is the QuickDraw Point, which represents space in pixels. As the coordinates in QuickDraw space are 16-bit values there is not a unique mapping between world and screen space (many world space points map to the same view space point).

## Page

This is a 2D-only coordinate system that represents the physical page the drawing is on. The basic type is `double` and it's always in inches. It is unaffected by any changes to scale or units.

Many functions exist to support translation from one coordinate system to another (usually to or from world space). Some of the more widely-used space conversion functions follow:

<code>GS_CoordLengthToPageLength()</code>	world space	page space
<code>GS_CoordLengthToPixelLength()</code>	world space	view space
<code>GS_CoordLengthToUnitsLength()</code>	world space	current drawing units
<code>GS_PageLengthToCoordLength()</code>	page space	world space
<code>GS_PixelLengthToCoordLength()</code>	view space	world space
<code>GS_UnitsLengthToCoordLength</code>	current drawing units	world space

When writing to disk it's a good idea to save coordinate values in a predefined real-world unit, like millimeters or inches. Because it is not 100% guaranteed that world space will always be defined in millimeters, the use of the following constants and callbacks are highly recommended:

```
kWorldCoordsPerInch
kWorldCoordsPerMM
GS_WorldCoordsPerDrawingUnit()
```

Similarly, when using world space constants in your code, you should not depend on one world space coordinate being equivalent to one millimeter. Rather, if you wanted to add one millimeter to a world space value, you should add the value `kWorldCoordsPerMM`.

Using these constructs above and a predefined real-world unit for values saved to disk will guarantee reliable results for world space calculations from release to release.

## Properties of Drawing Entities

In the last section, entities were discussed in relation to the drawing list. Drawing entities also have some other common properties other than their position in the drawing hierarchy.

### Graphic Attributes

Entities have the following attributes for which VectorWorks provides simple accessor and mutator functions: name, class, lock state, color, fill pattern, pen pattern, line weight, visibility, and arrow heads. VectorWorks also provides routines to get and set the default values of these attributes.

### Defining Geometry

All entities have a location in World space, but the method for storing the defining geometry differs for each entity. You can determine an entity's location by examining its bounding rectangle using

`GetBox` (which returns the smallest rectangle that completely surrounds the entity in the current view) or `GetCube` (which returns the smallest cube that completely surrounds the entity). For many entities (such as walls and groups), this rectangle or cube is a derived attribute, an attribute constructed from the actual defining geometry of the entity. This distinction has subtle but important consequences since some functions such as `SetBox` only have lasting effects on entities with defining rectangles (such as rectangle and ellipses).

## **Special Objects**

VectorWorks has entities of many different levels of complexity. These range from rectangles and line segments, which have trivial defining properties to symbols and extrudes which hold information in local coordinates systems which get transformed to their final location. This section explains some of the more complicated entity types.

## **Symbols**

There are two drawing entities related to symbols, symbol instances and symbol definitions. Symbol definitions contain the entities that define the symbol and are stored in the aux list of the drawing header. Symbol instances are markers that are placed in the drawing list specifying a transformation matrix and a symbol definition to draw there.

### **Symbol Definitions**

A symbol definition is very much like a VectorWorks group. The two distinguishing aspects are the local coordinate system and their location in the drawing. Why do symbol definitions need a local coordinate system? Groups do not need to use a local coordinate system because every instance of a group is unique. You can copy and duplicate a group but that act creates a new and distinct instance of the group. Changes to the new group do not affect the old group and vice versa. Because this is true, when you move a group in the drawing you can directly change the coordinates of the component objects. Symbols, however, are a shared object. If you change any component object in a symbol, all symbol instances will reflect that change. To allow for the same symbol definition to be displayed at multiple locations, a local coordinate system is used. In this method, all the component objects in a symbol are specified relative to the symbol's coordinate origin. When a symbol instance is made, the symbol's component entities are drawn as if the insertion point were the symbol's local origin.

If you try to create a symbol from a group of objects on the drawing, that symbol's insertion point will be the World space origin. This will probably be the wrong effect if the collection of entities does not lie near the World space origin. To deal with this, choose some World space point to be the symbol's insertion point. Then for each object you want to add to the symbol call `MoveObject3D(myInsertionPoint)`. If you are creating the objects in the symbol from scratch, you can create them about any arbitrary point and then proceed as above or you can create them about the world origin.

### **Symbol Instances**

Symbol Instances are fairly simple objects. They contain a transformation matrix and a symbol definition reference. To draw the symbol instance, VectorWorks takes the geometry in the symbol definition and multiplies it by the symbol instance's matrix. Modification of the instance's symbol definition is done by calling `GetDefinition` and `SetDefinition`. VectorWorks also provides two creation routines for adding new symbol instances to the drawing: `PlaceSymbol` and `PlaceSymbolByName`.

### **2D and 3D Symbols**

Symbols have the additional complication of being hybrid entities, entities that can have both 2D and 3D properties. VectorWorks stores both "halves" of the symbol in the same definition list, and then filters out entities as it processes the symbol for different operations. `GetSymbolType` can be called to quickly check the type of a symbol.

## The Symbol Library

Since symbol definitions do not directly appear in the drawing, they are not stored in the main portion of the drawing list. Instead they are stored in their own list, which is found in the drawing header's auxiliary list. To get access to the symbol library you can call `GetSymbolLibraryHeader` and then traverse the symbol library with the routines discussed in the drawing list section or you can use `ForEachObject` specifying that you only want symbol definitions.

## Walls

Walls are defined as a line segment with a variable number of "nodes", called breaks, that lie along its length. The controlling line, accessed with `GetEndpoints`, specifies the center line of the wall. The width of the wall (`GetWallWidth`), indicates how far on each side of the center line to create the outer edge of the wall. For 3D drawing, heights of the start and end of the wall (`GetWallHeights`) can be independently set.

Breaks are modifications to the wall. An offset from the start point of the wall specifies their location. Their type can be one of the following:

### Cap

A Cap break specifies modifications to an end of the wall. A wall may have 0, 1 or 2 caps. The offset of a cap break should be -1 if it is the start cap and `LONG_MAX` (defined in `limits.h`) if it is the end cap. A cap specifies whether the end of the wall is closed and if it is closed whether it is rounded. Since the position of the wall is specified by the center line, the cap also specifies any offset of the endpoint of either side line from the corresponding end point of the center line (to create a "tilted cap"). VectorWorks ignores cap end offsets with round caps.

### Half

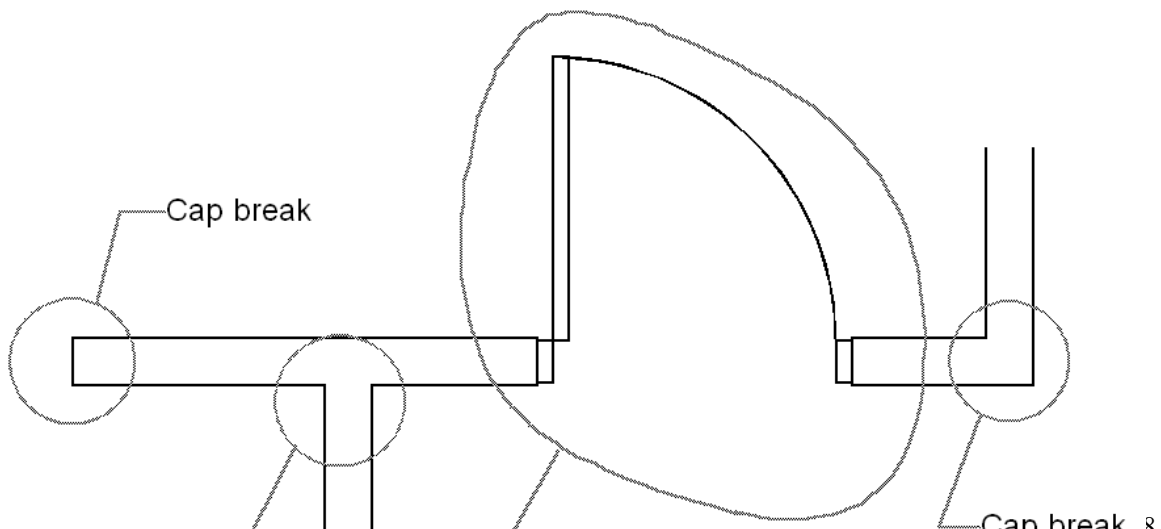
A half break is a gap in a side of a wall visible in plan view. These occur where one wall joins another. A half break defines a starting position for the gap and a gap length.

### Peak

A peak break is a 3D only break that specifies the height of the wall at a given offset.

### Symbol

A symbol break specifies the insertion of an instance of a symbol or plug-in object into a wall. The symbol cuts the wall as necessary. A symbol break defines the symbol definition of the inserted symbol, the height of the symbol's insertion point in the wall, and the orientation of the



symbol (towards which quadrant of the wall is the symbol directed).

## Extrudes

An extrude is a container entity and may be considered single or multiple. The extrude also has a top and bottom offset value (`GetExtrudeValues`) to specify the top and bottom surfaces of the extrude, and a transformation matrix. To convert the defining geometry from 2D local coordinates to the 3D World space points, simply take the 2D coordinate, take the bottom surface value (to find the corresponding bottom point in 3D) as the z-coordinate of that point and multiply it by the extrude's matrix.

Multiple extrudes use the same values as single extrudes, but distribute each entity equally between the top and bottom surfaces, in back to front list order.

## Sweeps

Sweeps, like extrudes, are container entities that have a sub-list of 2D defining entities and a transformation matrix. To convert the entities into the 3D swept shape, each 2D point is rotated around the y-axis in the local coordinate system, and the resulting 3D point is then multiplied by the sweep's transformation to orient it correctly.

## Meshes

Meshes have a complicated internal storage structure to optimize them for both speed and size. For editing purposes they are converted into and from a group of 3D polygons (`MeshToGroup` and `GroupToMesh`). When converting from 3D polygon groups, shared edges of polygons become single mesh lines in the mesh. This is the only specific editing method for meshes.

## 3D Views

A plug-in can specify a camera location and orientation with a `TransformMatrix`. The matrix can be constructed and manipulated with the vector and matrix routines in the `MCVector` and `MCMatrix` libraries. The matrix should transform 3D objects from world space to view space, which is then projected onto the page according to the current projection. The projection plane (i.e. the screen) is defined to be the view space x-y plane and the positive z extends toward the viewer (i.e. out of the screen).

Additional assumptions are made when the current projection is perspective. The viewer location is considered to be the point (0, 0, `perspectiveDistance`) in view space. Objects are clipped to the view volume which is that space extending from the viewer location toward the projection plane and enclosed by the `clipRect` on that plane. Finally, all objects are clipped to the back clipping plane which is specified by `z = clipDistance` in view space. The values of `clipDistance`, `perspectiveDistance`, and `clipRect` are obtained from the `GetPerspectiveInfo` callback.

There is also a set of routines supporting interactive rotation of 3D objects. This is the behavior the user sees when using 3D view specification tools like walkthrough and flyover. To use this service, first get the current view matrix with `GetViewMatrix`. Then create a preview with `PreviewSetup`. You can then repeatedly modify the matrix, call `SetViewMatrix` and call `PreviewDrawFrame` in a loop until the desired view is chosen. The view change would typically respond to input from the user, but `QuickTime™` export uses the same calls to display animation previews. You must then call `PreviewFinish`, and if you want to permanently alter the view, you must call `NewCurrentViewMatrix` to set the new view.

## Undo

VectorWorks supports undo and redo for multiple user actions. Generally, any operation that changes one or more objects in a VectorWorks document must be accompanied by supporting undo code, or the document could become corrupt. This guide lists the undo calls that are available to an SDK developer, and describes how those calls should be used to ensure that document changes that are the result of an SDK plug-in are properly communicated to the undo system.

### Terminology

A separate undo table exists for each open document in VectorWorks. Each user action is represented in the undo table as an undo event. Each undo event is composed of zero or more undo primitives.

The primary undo primitive available to SDK developers is called a swap primitive. It is so named because it saves a before and after copy of an object, and swaps the two (one into the drawing, one out of the drawing) when an undo or redo is performed.

### Interface

The following callbacks are available to SDK developers:

```
void GS_SetUndoMethod(CallBackPtr cbp, short newEvent);
void GS_NameUndoEvent(CallBackPtr cbp, ConstStr31Param eventName);
void GS_EndUndoEvent(CallBackPtr cbp);
Boolean GS_NonUndoableActionOK(CallBackPtr cbp);
Boolean GS_AddBeforeSwapObject(CallBackPtr cbp, BlankHandle h);
Boolean GS_AddAfterSwapObject(CallBackPtr cbp, BlankHandle h);
Boolean GS_AddBothSwapObject(CallBackPtr cbp, BlankHandle h);
Boolean GS_AddBeforeMoveObject(CallBackPtr cbp, BlankHandle h);
Boolean GS_AddAfterMoveObject(CallBackPtr cbp, BlankHandle h);
Boolean GS_AddCoordMoveObj2D(CallBackPtr cbp, BlankHandle h, WorldPt
delta);
Boolean GS_AddCoordMoveObj3D(CallBackPtr cbp, BlankHandle h,
WorldPt3 delta);
void GS_SupportUndoAndRemove(CallBackPtr cbp);
void GS_UndoAndRemove(CallBackPtr cbp);
```

### Starting an Undo Event

The first step in handling undo in an SDK plug-in is to issue a GS\_SetUndoMethod() call. This routine must be called in every SDK plug-in, regardless of whether the actions of the plug-in are undoable or not. The supported parameter values for this call are:

Parameter	Constant	Meaning
kUndoNone	0	The actions in this plug-in are not undoable.
kUndoSwapObjects	21	The actions in this plug-in are undoable.
kUndoReplaceSelection	17	The actions in this plug-in are undoable, and this new event is to be pre-populated with swap primitives for all currently selected objects (this should only be used for object modifications, not object deletions).

For example, if an SDK plug-in's complete functionality consisted of doubling the size of all selected objects, then the following call could be issued to handle that activity for undo:

```
GS_SetUndoMethod(cbp, kUndoReplaceSelection);
```

This call is typically placed in the kMenuDoInterface, kToolComplete, and kParametricRecalculate actions of the plug-in Menu, Tool and Object respectively.

### Naming an Undo Event

When the user chooses undo or redo, a message is displayed on the mode bar describing the action that was performed. The `GS_NameUndoEvent()` callback is used to specify the name that is attached to a plug-in event. If an event is not explicitly named using the `GS_NameUndoEvent()` call, a generic event name is used by default.

Event names are limited to 31 characters. To be consistent with internal VectorWorks event names, all words should be capitalized and have the format "Verb [[Adjective] Noun]". Some examples that fit this format are "Drag", "Delete Symbol", and "Create Rounded Rectangle". Some examples that do not fit this format are: "Symbol creation dialog", "dimension tool", and "Stair Creation".

### Building an Undo Event

Since the undo system is handle-based, it is important to remember that all SDK plug-ins that support undo must communicate all object changes to the undo system using the appropriate undo calls. If any changes to the drawing are not reflected in the undo table (especially object deletions), an application crash will likely result.

Most changes to the drawing can be logged to the undo system using swap primitives. Swap primitives handle the four basic operations that can be applied to VectorWorks objects:

1. Creating an object
2. Modifying an object
3. Deleting an object
4. Moving an object

The following five swap primitive types exist to handle the four object operations listed above:

Object Action	Callback
Before an object is deleted	<code>Boolean GS_AddBeforeSwapObject(CallBackPtr cbp, BlankHandle h);</code>
Before an object is modified	<code>Boolean GS_AddBothSwapObject(CallBackPtr cbp, BlankHandle h);</code>
After an object is inserted	<code>Boolean GS_AddAfterSwapObject(CallBackPtr cbp, BlankHandle h);</code>
Before an object is moved	<code>Boolean GS_AddBeforeMoveObject(CallBackPtr cbp, BlankHandle h);</code>
After an object is moved	<code>Boolean GS_AddAfterMoveObject(CallBackPtr cbp, BlankHandle h);</code>

The last two swap primitives in the table above (`GS_AddBeforeMoveObject()` and `GS_AddAfterMoveObject()`) must be used in pairs, and are used for moving objects within the internal VectorWorks list data structure (for example, changing an object's layer or using the "send to back" command). For moving an object with respect to the page (changing its world coordinate values), `GS_AddCoordMoveObj2D()` or `GS_AddCoordMoveObj3D()` should be used.

While a `GS_AddBothSwapObject()` call can be used for an object that is being moved within the drawing (i.e. an object whose world coordinate values are being changed), two more streamlined calls may also be used for this type of action: `GS_AddCoordMoveObj2D()` and `GS_AddCoordMoveObj3D()`. While either approach is valid for moving objects within the drawing, the `CoordMove` calls are faster and require less memory.

In addition to swap and move primitives, other undo primitives also exist within the main VectorWorks code to handle changes to the drawing that cannot be handled by swap primitives (such as changing

preferences or adding classes). These undo primitives are added to the undo event automatically by the main program and do not need to be addressed by the SDK developer.

When creating swap primitives, only objects that are going to eventually reside in the drawing need to be communicated to the undo system. It is therefore not necessary to log objects that are created for temporary purposes. When deleting objects, it is important to note this distinction and use the appropriate parameters in the `GS_DeleteObject()` call. For deleted objects that are going to be logged to the undo system, a `GS_AddBeforeSwapObject(cbp, h)` should be called and followed by a `GS_DeleteObject(cbp, h, true)`, with the true parameter indicating that undo is active and the object should be saved in the undo table. Conversely, for deleted objects that are temporary and therefore are not going to be logged to the undo table, `GS_AddBeforeSwapObject()` should not be called, and the object should be deleted using `GS_DeleteObject(cbp, h, false)`, with the false parameter indicating that undo is not active for this object and the object should actually be freed from memory.

It is important to note that all undo operation are deep operations; it is not necessary to add undo primitives for child objects of a group if that group object has already been handled for undo. For example, if a given plug-in creates a straight flight of stairs that results in a group of hundreds of line segments, only one swap primitive (`GS_AddAfterSwapObject()`) needs to be created (for the new staircase group object).

There is one **exception** to the guidelines listed above: plug-ins whose sole purpose is to create custom objects or custom object definitions do not need to handle swap primitive cases. Due to the complexity of the custom object callbacks, those swap cases are handled by the main VectorWorks code. The custom object callbacks that take care of their own swap primitives are: `GS_DefineCustomObject()`, `GS_CreateCustomObject()`, `GS_CreateCustomObjectByMatrix()`, `GS_CreateCustomObjectByDoubleClick()`, and `CB_CreateCustomObjectPath()`.

### **Ending an Undo Event**

When an event is explicitly "ended", the undo system saves the view and prepares for the next event. For SDK plug-ins, VectorWorks automatically issues and `GS_EndUndoEvent()` call if the plug-in did not issue one before it returned control to the main program. It is therefore generally not necessary for SDK developers to use the `GS_EndUndoEvent()` callback.

### **Backing Out a Partially Built Event**

Sometimes it cannot be determined that an operation is going to fail until part of the operation has already completed (and an undo event has already been partially constructed). The `GS_UndoAndRemove()` call can be used in this situation to back out the changes that were already made (and logged to the undo system). This call also removes the partially-built event from the undo table.

If an undo event may be backed out (i.e. may be aborted using a `GS_UndoAndRemove()` call), it must be preceded by a `GS_SupportUndoAndRemove()` call. This call, issued before the `GS_SetUndoMethod()` call, instructs the undo system to build (at least temporarily) the next event even if the undo system is suspended or disabled. If the `GS_SupportUndoAndRemove()` call is not issued before a `GS_UndoAndRemove()`, and the user has disabled the undo system by setting the maximum number of undos to zero, the event will not be built and the undo system will be unable to back the unwanted changes out of the drawing.

### **Plug-ins That Do Not Support Undo**

The following two callbacks should be used for each SDK plug-in that does not support undo:

```
Boolean GS_NonUndoableActionOK(cbp);
void GS_SetUndoMethod(cbp, kUndoNone);
```

The new `GS_NonUndoableActionOK()` callback notifies the user that the action that is about to be performed is not undoable and that the undo table is about to be cleared. This notification gives the user a chance to cancel the operation. It is important to check the return value of this call and abort the operation if so directed by the user.

If the user chooses to continue without undo, it is critical that a `GS_SetUndoMethod(kUndoNone)` be issued before any changes are made to the drawing. If this call is not issued, the document will likely become corrupt. When a non-undoable plug-in issues `GS_SetUndoMethod(cbp, kUndoNone)`, the undo table is cleared and the undo system is suspended. When control is returned to the main program, the undo system is reactivated.

### **Debugging**

Tracking down undo bugs can be difficult, because a table corruption may not become apparent until well after the action that caused the corruption has occurred. Consider the case where a plug-in deletes an object in the drawing without making a `GS_AddBeforeSwapObj()` call. If a previous undo event contains a reference to that object, that event may not try to access the invalid handle until it is cleared from the table, thereby delaying any indication of the corruption.

Two tactics that can aid in identifying these types of bugs are:

1. Verify that the problem is undo-related by disabling undo and checking if the problem persists. (Undo is disabled by setting the "number of undos" to zero on the VectorWorks Preferences Session Pane.)
2. Once a bug is confirmed to be undo-related, set the "number of undos" preference to a small number (1 or 2). This will force recent undo events to be cleared out of the table more quickly and thereby expose latent corruptions sooner.

## User Interface

Some plug-ins may need to present a user interface to display information or gather information from the user. Developers should follow the guidelines below and only present a dialog when it is appropriate. There are several techniques to implement a user interface within a plug-in.

The simplest user interface feature that plug-ins should support is Help Tags on Macintosh and Tool Tips on Windows. This feature simply identifies the plug-in by name when the user hovers the cursor over the tool icon or menu item. To support this, a plug-in should include a 'TEXT' resource with an id of 128.

Another simple user interface feature is the help string that appears in the mode bar adjacent to the mode bar buttons for a tool. In response to a DoSetup action, a plug-in tool can read a string from its resources and then call GS\_SetHelpString to display this string. A complex tool, which gathers several points from the user, can call GS\_SetHelpString repeatedly with a different prompt for each click.

### Guidelines

A Plug-in should follow these guidelines when presenting alerts or dialogs to the user:

- A Plug-in Menu may only pose a dialog during its kMenuDoInterface action.
- Plug-ins of all types should never pose a dialog during their respective "InitGlobals", "DisposeGlobals", "DoSetup", and "DoSetDown" actions.
- A Plug-in Object should never pose a dialog during its kParametricRecalculate action. This action is only for drawing sub-objects. In addition to being against the spirit of the kParametricRecalculate action, it may also cause a problem for the user. For example, a drawing contains hundreds of instances of a particular Plug-in Object, and some situation arises where VectorWorks needs to reset them all. If that Plug-in breaks this rule and poses a dialog during the reset action, then the user will be confronted with a series of hundreds of dialogs.

### Alerts

VectorWorks provides some simple alerts through the following SDK calls:

```
GS_PostMinorNoteAlert  
GS_PostMinorStopAlert  
GS_PostNoteAlert  
GS_PostStopAlert  
GS_Confirm
```

### Context Sensitive Help

To add help, the first step is to create the HTML files that will display them. Then, a place must be found to store the help. The help can either be stored on a website, or locally in the VVHelp folder of VectorWorks. To enable the connection between the VectorWorks help system and any new plug-ins, the CreateElementList plug-in menu must be called. This exists in the plug-ins folder, but is not part of any workspace. It must be added. The CreateElementList menu item updates a file contained in the VVHelp folder, "HelpLookup.txt". Any new plug-ins and their data are added to this file. This file is essential to the help system of VectorWorks. Inside, it contains six columns detailed below.

**Column 1:** This is the type of item it is. Right now there are three types, Tool, Menu and Special. The spelling and case must match one of these three types.

**Column 2:** This is the name of the item. VectorWorks uses this as a delimiter to the next column. For developers, it is an easy way to identify the item for which to provide help.

**Column 3:** This is a semi-unique identifier for the item. This identifier coupled with the data from

column one lets the help system pick the right help.

**Column 4:** This is a context string that is used by VectorWorks' help system. Third party developers need not concern themselves with this except that this column must minimally contain an asterisk, "\*".

**Column 5:** This is a topic string that is used by VectorWorks' help system. Again, third party developers need not concern themselves with this. And this column must at least have an asterisk, "\*".

**Column 6:** This is a URL that third party developers can use to link help for the plug-in on that line with the context help. This URL can be of the form <http://www.ThirdPartyDeveloperSite.com/etc>, or vwhelp://folderOrFileName... for files or folders that are contained within the VWHelp folder.

Column 6 must contain a URL and columns 4 and 5 must contain asterisks. Once this file has been altered to contain a row for the new plug-in, the help system will be able to display help on the plug-in in the same manner that VectorWorks displays other context-sensitive help.

## **Layout Manager – Cross-Platform Dialogs**

The Layout Manager is the recommended way to implement dialogs for SDK Plug-ins. It allows you to define a user interface once using the cross-platform VectorScript syntax and then ask VectorWorks to create and display your dialog for you. VectorWorks will display a dialog on each platform that looks appropriate for that platform. It will automatically adjust the position of dialog items based on the current font size. Nemetschek North America encourages SDK developers to use this method for implementing a user interface.

The Layout Manager system consists of two phases: dialog creation, and dialog management.

SDK developers should specify the dialog using VectorScript in a Macintosh ‘TEXT’ resource and manage the dialog with the SDK API.

The complete layout manager API is available in both the C++ SDK and in VectorScript, which means there are several ways to use the layout manager. The technique used here is the most common.

### **Creating Dialogs**

To create a Layout Manager dialog write a VectorScript routine that: 1) creates the layout and the controls; 2) arranges the controls inside the layout; 3) adds any special alignments.

The first step is to create a Layout, which is equivalent to a dialog and serves as the overall container. Next, create the individual controls and give each control a unique ID number between 3 and 400. ID’s 1 and 2 are reserved for the OK and Cancel button. Some controls require a size that is specified in character units, which is based on the average size of a character in the current dialog font.

After creating the control, set the help text for individual controls using SetHelpString.

The Layout Manager supports several types of user interface items (sometimes referred to as “controls” or “widgets”):

- Checkbox
- Combo Box (Popup menu)
- Static Text
- Editable Text
- Multiline Editable Text
- Help Description
- List (Text only)
- Real Number
- Picture
- Icon
- Push Button
- Radio Button
- Slider Control
- System Color Palette Button
- Group Box
- Tab Control
- Checkbox Group Box
- Radio Button Group Box
- List Browser

### **Arranging controls**

Positioning dialog controls is generally a two step process, where an initial arrangement specifies the relative position of each control and then any special alignments are specified.

Dialogs items are arranged by setting an initial anchor control and then specifying a chain of controls relative to the first control. Layouts and group items are the only two objects that can have anchor controls. Anchor controls are set using either `SetFirstLayoutItem` or `SetFirstGroupItem`. The next item is placed relative to the anchor item using either `SetBelowItem` or `SetRightItem`. Using these `Set*Item` calls, a chain of controls can be created with each item relative to the other. Group items are just like other items in that any control including another group can be placed to the right of or below another group.

The initial arrangement generally places items so that they're left and top edges are aligned. To specify other alignments use the `AlignItemEdge` call. In `AlignItemEdge` you specify an edge and an alignment group. All objects in the same alignment group are aligned together. `AlignItemEdge` also allows you specify whether you want an object to shift or resize when performing the alignment.

## Managing Dialogs

To run a Layout Dialog that was specified using `VectorScript` in a 'TEXT' resource use the SDK call `GS_GetLayoutFromRsrc`. This returns a dialog ID that you then pass to `GS_RunLayoutDialog`. `GS_RunLayoutDialog` also takes an event handler function. The event handler is a function that is called for each user event as well as for dialog set up and set down.

```
void MyHandleEvent(long dlogID, long& itemHit, void* data, void* env)
```

The event handler function has four parameters. The first parameter, `dlogID`, is passed in as a convenience since all layout manager calls require a dialog ID. The second parameter, `itemHit`, specifies the ID of the dialog control that received an event. The third parameter, `data`, is a pointer to a long that contains data specific to the control and the event. For instance, if a checkbox is clicked on, the `*data` parameter will be set to 1 or 0 to indicate the value of the checkbox. The fourth parameter is an optional environment variable that can be used for passing data into the event handler function.

## Platform-Specific User Interface

If the Plug-in requires an interface that is too complex to be represented with the Layout Manager, then it should use other platform-specific techniques. A Plug-in may call the appropriate operating system API calls directly to build and display a dialog. The platform-specific code will have to be developed separately on the Mac and Windows, which increases the development and maintenance effort required. A Plug-in may also use platform-specific application frameworks such as Metrowerks' PowerPlant on the Mac and Microsoft's MFC on Windows. These frameworks are discussed in more detail in the section "The Development Environment".

## Display of Numeric Values

When displaying numeric data to the user, it is important that the format of the numbers conform to the user's specifications, and where those are incomplete that they be consistent. For most needs, the `VectorWorks` routines `CoordToDimString` and `AngleToStringN` will suffice. If you are working with non-coordinate values, or floating point coordinate values, you may need to format the numbers yourself. To do this you will need access to the users specifications for number display. This information is stored in a `UnitsType` record (see `MiniCadCallbacks.h`).

```
struct UnitsType {
    WorldCoord    storedAccuracy;    // WorldCoords/unit
    Short         format;           // Display format
    double_gs     unitsPerInch;     // units/inch
    Str7          unitMark;         // Unit string
    Long          displayAccuracy;  // Largest denominator
```

```
        UnitFlagsType unitFlags;        // Various flags
};
```

Note: World coordinates are centered on the world origin, which never moves. If the user has moved the user origin, then you will need to offset world values by the user origin's location in world space before you display them. To get the user origin use GetUserOrigin.

## Section III: The Development Environment

### ***Cross-Platform Development***

The VectorWorks SDK enables development of plug-ins for both the Apple Macintosh and the Microsoft Windows operating systems. A separate development environment is used on each platform to build a plug-in for that particular platform. Depending on the specifics of the plug-in, some of the source code may be shared between the two versions and some may be platform-specific.

#### **Installing the Development Tools**

Nemetschek North America recommends a specific version of the development tools to be used with a particular version of the VectorWorks SDK. This may not always be the latest version of the development tools, but it will be a version that is proven to work successfully with our SDK. If an older version is recommended, it can be obtained from Microsoft and Metrowerks by registered users. Microsoft will provide older versions through their “downgrade” program for a small fee. Call their fulfillment center at 1-800-360-7561. Metrowerks will provide an older version of their tools free of charge, and can be reached at 1-800-377-5416.

For the VectorWorks 11 SDK, the supported development environment on the Mac is Metrowerks CodeWarrior 8.3, and on Windows it is Microsoft Developer Studio Visual C++ 6.0. See the release notes for the latest information.

### **Macintosh Project and Compiler Settings**

A project file is used to identify the plug-in’s source code, and specify various compile and link options. CodeWarrior project files typically have filenames that end in “.proj” or “.mcp”. Here are a few of the many options specified in the project’s Settings dialog:

- 1) Choose the Linker “MacOS PPC Linker” in the Target Settings pane.
- 2) Set the Project type “Shared Library” in the “PPC Target” pane.
- 3) Set the Creator to ‘CDP3’.
- 4) Set the file Type to ‘OEmu’ for menus, ‘OEt1’ for tools, ‘MCpa’ for objects.
- 5) Turn on the “Enable bool support” checkbox in the Language Settings/ C++ Language Settings.
- 6) Set the Entry Point to “main” in the Linker / PPC Linker pane.
- 7) Turn on “Expand Uninitialized Data” checkbox in the Linker / PPC PEF pane.

There are too many C++ options to enumerate, but all sample projects, libraries and the project templates are set correctly. We recommend you start any plug-in from a sample or a template. If you decide not to, or you accidentally change the settings in you project, compare your projects settings with those of the supplied sample projects. CodeWarrior 7 has an “Export Project...” feature which exports an XML text file that describes the project and all its settings. This can be used to compare two exported projects.

### **Windows Project and Compiler Settings**

A project file in Visual C++ will have a “.dsp” filename extension, and will describe how to build a particular plug-in as a Dynamic Linked Library or DLL.

## **Resources**

### **Templates**

Some of the Macintosh resources required by plug-ins are custom resources defined by Nemetschek North America specifically for the VectorWorks SDK. The Macintosh resource editor, ResEdit, will not recognize these custom resource types until it has access to the templates that describe the custom resources. The templates are located in the file “GSTMPL.rsrc” which is in the “SDKLib:ToolsMac:” folder. Developers should copy all the ‘TMPL’ templates from GSTMPL.rsrc and paste them into the “ResEdit Preferences” file within the “System Folder:Preferences” folder. This will help ResEdit interpret these custom resources.

### **Macintosh Resources on Windows**

A Windows Plug-in will use both Macintosh and Windows resources. The Macintosh resources describe the definition and attributes of a plug-in as described in Section II of this manual. These resources will be created and edited on a Macintosh and then “flattened” and copied to a Windows computer. The flattening process simply reads the resource-fork of a Macintosh file and writes the data to the data-fork of a Windows file. By convention, these flattened files have a filename extension of “.rsr”. There will be one rsr file for each Windows plug-in file.

To “flatten” a resource file you can use a utility program like “QuickConvert” or simply copy the Mac file to a PC-formatted floppy disk or zip disk. Move the disk to a PC. The flattened file will be in a Resources directory on the disk.

### **Windows Resources on Windows**

A Windows Plug-in may also contain Windows Resources. If the plug-in needs to specify a unique cursor, then the cursor should be defined in a Windows Resource and built into the plug-in’s DLL file.

## **Debugging**

To diagnose and fix problems with your plug-in, it is possible to debug it at the source level. You will be able to set breakpoints, step through your plug-in's source code line by line, break at watchpoints and many other debugging features.

### **Debugging on Macintosh**

In order to enable the debugging of plug-ins on MacOS 9 (Classic), you must disable MetroNub's CloseResFile patch as described in the Metrowerks CodeWarrior release notes. Make the following minor modification to the **MetroNub** file in your "System Folder:Extensions" folder:

- Open the "MetroNub" file using ResEdit
- Edit the "CFRE" 128 resource
- Set its value to 0
- Save the "MetroNub" file and quit ResEdit
- Reboot the machine.

Alternately, the SDK includes the DebugWindow utility (developed by Keith Ledbetter) to display printf style messages from a plug-in.

### **Debugging on Windows**

## ***Application Frameworks***

Plug-in developers are encouraged to structure their source code so that most (or all) of it is cross-platform, and use the Layout Manager as a cross-platform way to display dialogs. This will increase productivity and decrease maintenance required. However, some plug-ins may require a complex user interface that Layout Manager does not support. The plug-in may also like to take advantage of some other feature of an application framework. In this case, the plug-in's code can be factored into two platform-specific user interface sections, and one cross-platform section. These techniques are really beyond the scope of the VectorWorks SDK, but this chapter will provide a few tips for those who choose to use them. Again, the use of these frameworks is optional.

Two common platform-specific application frameworks are Metrowerks' PowerPlant on the Macintosh and Microsoft's MFC on Windows. These frameworks are included with each of the development environments: CodeWarrior and Visual C++.

# Index